



## 2017 catalog

For CO<sub>2</sub> and fiber laser consumables

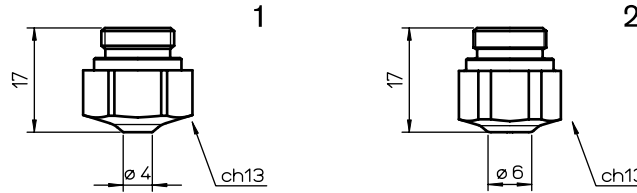
Replacements parts suitable for Bystronic®



## Our value proposition

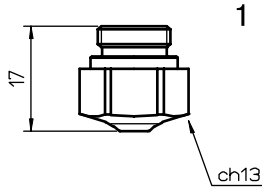
- Product breadth – with over 2,800 part numbers
- OEM quality/consistency for nozzles, ceramics and optics
- Technical/application support from OEM-trained technicians
- 100% satisfaction guarantee



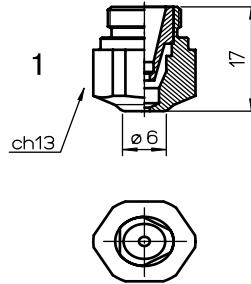

**Consumables**

	Centricut part number	Reference number	Alternate reference	Description	Pkg qty
1	BY310-4277	3-04277, HK08	L674	Nozzle - 0.8 mm HD	1
	BY310-4277X	3-04277, HK08	L30674	Nozzle - 0.8 mm HD (10 pack)	10
	BY310-1910	3-01910, HK10	L72	Nozzle - 1.0 mm HD	1
	BY310-1910X	3-01910, HK10	L3072	Nozzle - 1.0 mm HD (10 pack)	10
	BY310-1911	3-01911, HK12	L121	Nozzle - 1.25 mm HD	1
	BY310-1911X	3-01911, HK12	L30121	Nozzle - 1.25 mm HD (10 pack)	10
	BY310-1912	3-01912, HK15	L73	Nozzle - 1.5 mm HD	1
	BY310-1912X	3-01912, HK15	L3073	Nozzle - 1.5 mm HD (10 pack)	10
	BY310-1913	3-01913, HK17	L122	Nozzle - 1.75 mm HD	1
	BY310-1913X	3-01913, HK17	L30122	Nozzle - 1.75 mm HD (10 pack)	10
	BY310-1910CP	3-01910, HK10	L72X	Nozzle - 1.0 mm HD CP	1
	BY310-1910CPX	3-01910, HK10	L3072X	Nozzle - 1.0 mm HD CP (10 pack)	10
	BY310-1911CP	3-01911, HK12	L121X	Nozzle - 1.25 mm HD CP	1
	BY310-1911CPX	3-01911, HK12	L30121X	Nozzle - 1.25 mm HD CP (10 pack)	10
	BY310-1912CP	3-01912, HK15	L73X	Nozzle - 1.5 mm HD CP	1
	BY310-1912CPX	3-01912, HK15	L3073X	Nozzle - 1.5 mm HD CP (10 pack)	10
	BY310-1913CP	3-01913, HK17	L122X	Nozzle - 1.75 mm HD CP	1
	BY310-1913CPX	3-01913, HK17	L30122X	Nozzle - 1.75 mm HD CP (10 pack)	10
	2	BY310-1914	3-01914, HK20	L123	Nozzle - 2.0 mm HD
BY310-1914X		3-01914, HK20	L30123	Nozzle - 2.0 mm HD (10 pack)	10
BY310-1915		3-03854, HK25	L140	Nozzle - 2.5 mm HD	1
BY310-1915X		3-03854, HK25	L30140	Nozzle - 2.5 mm HD (10 pack)	10
BY310-6112		3-06112, HK30	L265	Nozzle - 3.0 mm HD	1
BY310-6112X		3-06112, HK30	L30265	Nozzle - 3.0 mm HD (10 pack)	10
BY310-0035		HK35	L700	Nozzle - 3.5 mm HD	1
BY310-0035X		HK35	L30700	Nozzle - 3.5 mm HD (10 pack)	10
BY310-0040		HK40	L701	Nozzle - 4.0 mm HD	1
BY310-0040X		HK40	L30701	Nozzle - 4.0 mm HD (10 pack)	10
BY310-1914CP		3-01914, HK20	L123X	Nozzle - 2.0 mm HD CP	1
BY310-1914CPX		3-01914, HK20	L30123X	Nozzle - 2.0 mm HD CP (10 pack)	10
BY310-1915CP		3-03854, HK25	L140X	Nozzle - 2.5 mm HD CP	1
BY310-1915CPX		3-03854, HK25	L30140X	Nozzle - 2.5 mm HD CP (10 pack)	10
BY310-6112CP		3-06112, HK30	L265X	Nozzle - 3.0 mm HD CP	1
BY310-6112CPX		3-06112, HK30	L30265X	Nozzle - 3.0 mm HD CP (10 pack)	10
BY310-0035CP		HK35	L700X	Nozzle - 3.5 mm HD CP	1
BY310-0035CPX		HK35	L30700X	Nozzle - 3.5 mm HD CP (10 pack)	10
BY310-0040CP		HK40	L701X	Nozzle - 4.0 mm HD CP	1
BY310-0040CPX		HK40	L30701X	Nozzle - 4.0 mm HD CP (10 pack)	10

Centricut is not affiliated with the named manufacturers. Reference to machines, parts, descriptions, and model numbers are for convenience in verifying compatibility only. All parts are made by or for Centricut and are not made by the referenced manufacturers (unless expressly indicated). Centricut is a registered trademark of Hypertherm, Inc. All other trademarks are the properties of their respective owners.


**Consumables**

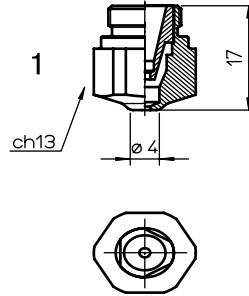
	Centricut part number	Reference number	Alternate reference	Description	Pkg qty
	BY310-4273	3-04273, K08	L83	Nozzle - 0.8 mm	1
	BY310-4273X	3-04273, K08	L3083	Nozzle - 0.8 mm (10 pack)	10
	BY310-1905	3-01905, K10	L116	Nozzle - 1.0 mm	1
	BY310-1905X	3-01905, K10	L30116	Nozzle - 1.0 mm (10 pack)	10
	BY310-1906	3-01906, K12	L117	Nozzle - 1.25 mm	1
	BY310-1906X	3-01906, K12	L30117	Nozzle - 1.25 mm (10 pack)	10
	BY310-1907	3-01907, K15	L118	Nozzle - 1.5 mm	1
	BY310-1907X	3-01907, K15	L30118	Nozzle - 1.5 mm (10 pack)	10
	BY310-1908	3-01908, K17	L119	Nozzle - 1.75 mm	1
	BY310-1908X	3-01908, K17	L30119	Nozzle - 1.75 mm (10 pack)	10
	BY310-1909	3-01909, K20	L120	Nozzle - 2.0 mm	1
	BY310-1909X	3-01909, K20	L30120	Nozzle - 2.0 mm (10 pack)	10
	BY310-4274	3-04274, K25	L675	Nozzle - 2.5 mm	1
	BY310-4274X	3-04274, K25	L30675	Nozzle - 2.5 mm (10 pack)	10
	BY310-4275	3-04275, K30	L678	Nozzle - 3.0 mm	1
	BY310-4275X	3-04275, K30	L30678	Nozzle - 3.0 mm (10 pack)	10
1	BY310-4273CP	3-04273, K08	L83X	Nozzle - 0.8 mm CP	1
	BY310-4273CPX	3-04273, K08	L3083X	Nozzle - 0.8 mm CP (10 pack)	10
	BY310-1905CP	3-01905, K10	L116X	Nozzle - 1.0 mm CP	1
	BY310-1905CPX	3-01905, K10	L30116X	Nozzle - 1.0 mm CP (10 pack)	10
	BY310-1906CP	3-01906, K12	L117X	Nozzle - 1.25 mm CP	1
	BY310-1906CPX	3-01906, K12	L30117X	Nozzle - 1.25 mm CP (10 pack)	10
	BY310-1907CP	3-01907, K15	L118X	Nozzle - 1.5 mm CP	1
	BY310-1907CPX	3-01907, K15	L30118X	Nozzle - 1.5 mm CP (10 pack)	10
	BY310-1908CP	3-01908, K17	L119X	Nozzle - 1.75 mm CP	1
	BY310-1908CPX	3-01908, K17	L30119X	Nozzle - 1.75 mm CP (10 pack)	10
	BY310-1909CP	3-01909, K20	L120X	Nozzle - 2.0 mm CP	1
	BY310-1909CPX	3-01909, K20	L30120X	Nozzle - 2.0 mm CP (10 pack)	10
	BY310-4274CP	3-04274, K25	L675X	Nozzle - 2.5 mm CP	1
	BY310-4274CPX	3-04274, K25	L30675X	Nozzle - 2.5 mm CP (10 pack)	10
	BY310-2475CP	3-04275, K30	L678X	Nozzle - 3.0 mm CP	1
	BY310-2475CPX	3-04275, K30	L30678X	Nozzle - 3.0 mm CP (10 pack)	10



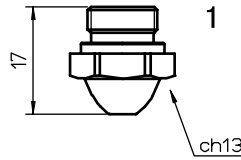
Consumables

Centricut part number	Reference number	Alternate reference	Description	Pkg qty
BY310-6058	3-16058, NK10-15	L1363	Nozzle - 1.0 mm double	1
BY310-6058X	3-16058, NK10-15	L301363	Nozzle - 1.0 mm double (10 pack)	10
BY310-6059	3-16059, NK12-15	L1364	Nozzle - 1.25 mm double	1
BY310-6059X	3-16059, NK12-15	L301364	Nozzle - 1.25 mm double (10 pack)	10
BY310-6060	3-16060, NK15-15	L1365	Nozzle - 1.5 mm double	1
BY310-6060X	3-16060, NK15-15	L301365	Nozzle - 1.5 mm double (10 pack)	10
BY310-4317	3-14317, NK17-15	L1366	Nozzle - 1.75 mm double	1
BY310-4317X	3-14317, NK17-15	L301366	Nozzle - 1.75 mm double (10 pack)	10
BY310-0005	3-14318, NK20-15	L604	Nozzle - 2.0 mm double	1
BY310-0005X	3-14318, NK20-15	L30604	Nozzle - 2.0 mm double (10 pack)	10
BY310-0006	3-14319, NK25-15	L605	Nozzle - 2.5 mm double	1
BY310-0006X	3-14319, NK25-15	L30605	Nozzle - 2.5 mm double (10 pack)	10
BY310-6256	3-16256, NK25-20	L612	Nozzle - 2.5 mm double	1
BY310-6256X	3-16256, NK25-20	L30612	Nozzle - 2.5 mm double (10 pack)	10
BY310-6061	3-16061, NK30-17	L613	Nozzle - 3.0 mm double	1
BY310-6061X	3-16061, NK30-17	L30613	Nozzle - 3.0 mm double (10 pack)	10
BY310-0007	3-16257, NK30-20	L606	Nozzle - 3.0 mm double	1
BY310-0007X	3-16257, NK30-20	L30606	Nozzle - 3.0 mm double (10 pack)	10
BY310-3530	NK35-30	L607	Nozzle - 3.5 mm double	1
BY310-3530X	NK35-30	L30607	Nozzle - 3.5 mm double (10 pack)	10
BY310-6058CP	3-16058, NK10-15	L1363X	Nozzle - 1.0 mm double CP	1
BY310-6058CPX	3-16058, NK10-15	L301363X	Nozzle - 1.0 mm double CP (10 pack)	10
BY310-6059CP	3-16059, NK12-15	L1364X	Nozzle - 1.25 mm double CP	1
BY310-6059CPX	3-16059, NK12-15	L301364X	Nozzle - 1.25 mm double CP (10 pack)	10
BY310-6060CP	3-16060, NK15-15	L1365X	Nozzle - 1.5 mm double CP	1
BY310-6060CPX	3-16060, NK15-15	L301365X	Nozzle - 1.5 mm double CP (10 pack)	10
BY310-4317CP	3-14317, NK17-15	L1366X	Nozzle - 1.75 mm double CP	1
BY310-4317CPX	3-14317, NK17-15	L301366X	Nozzle - 1.75 mm double CP (10 pack)	10
BY310-0005CP	3-14318, NK20-15	L604X	Nozzle - 2.0 mm double CP	1
BY310-0005CPX	3-14318, NK20-15	L30604X	Nozzle - 2.0 mm double CP (10 pack)	10
BY310-0006CP	3-14319, NK25-15	L605X	Nozzle - 2.5 mm double CP	1
BY310-0006CPX	3-14319, NK25-15	L30605X	Nozzle - 2.5 mm double CP (10 pack)	10
BY310-6256CP	3-16256, NK25-20	L612X	Nozzle - 2.5 mm double CP	1
BY310-6256CPX	3-16256, NK25-20	L30612X	Nozzle - 2.5 mm double CP (10 pack)	10
BY310-6061CP	3-16061, NK30-17	L613X	Nozzle - 3.0 mm double CP	1
BY310-6061CPX	3-16061, NK30-17	L30613X	Nozzle - 3.0 mm double CP (10 pack)	10
BY310-0007CP	3-16257, NK30-20	L606X	Nozzle - 3.0 mm double CP	1
BY310-0007CPX	3-16257, NK30-20	L30606X	Nozzle - 3.0 mm double CP (10 pack)	10
BY310-3530CP	NK35-30	L607X	Nozzle - 3.5 mm double CP	1
BY310-3530CPX	NK35-30	L30607X	Nozzle - 3.5 mm double CP (10 pack)	10

Centricut is not affiliated with the named manufacturers. Reference to machines, parts, descriptions, and model numbers are for convenience in verifying compatibility only. All parts are made by or for Centricut and are not made by the referenced manufacturers (unless expressly indicated). Centricut is a registered trademark of Hypertherm, Inc. All other trademarks are the properties of their respective owners.

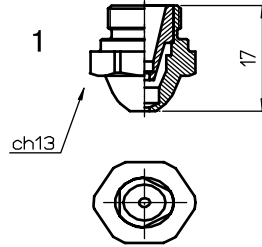

**Consumables**

	Centricut part number	Reference number	Alternate reference	Description	Pkg qty
1	BY310-0001	3-16058, NK10-15	L600	Nozzle – 1.0 mm double	1
	BY310-0001X	3-16058, NK10-15	L30600	Nozzle – 1.0 mm double (10 pack)	10
	BY310-0002	3-16059, NK12-15	L601	Nozzle – 1.25 mm double	1
	BY310-0002X	3-16059, NK12-15	L30601	Nozzle – 1.25 mm double (10 pack)	10
	BY310-0003	3-16060, NK15-15	L602	Nozzle – 1.5 mm double	1
	BY310-0003X	3-16060, NK15-15	L30602	Nozzle – 1.5 mm double (10 pack)	10
	BY310-0004	3-14317, NK17-15	L603	Nozzle – 1.75 mm double	1
	BY310-0004X	3-14317, NK17-15	L30603	Nozzle – 1.75 mm double (10 pack)	10
	BY310-0001CP	3-16058, NK10-15	L600X	Nozzle – 1.0 mm double CP	1
	BY310-0001CPX	3-16058, NK10-15	L30600X	Nozzle – 1.0 mm double CP (10 pack)	10
	BY310-0002CP	3-16059, NK12-15	L601X	Nozzle – 1.25 mm double CP	1
	BY310-0002CPX	3-16059, NK12-15	L30601X	Nozzle – 1.25 mm double CP (10 pack)	10
	BY310-0003CP	3-16060, NK15-15	L602X	Nozzle – 1.5 mm double CP	1
	BY310-0003CPX	3-16060, NK15-15	L30602X	Nozzle – 1.5 mm double CP (10 pack)	10
	BY310-0004CP	3-14317, NK17-15	L603X	Nozzle – 1.75 mm double CP	1
	BY310-0004CPX	3-14317, NK17-15	L30603X	Nozzle – 1.75 mm double CP (10 pack)	10


*Byspeed*
**Consumables**

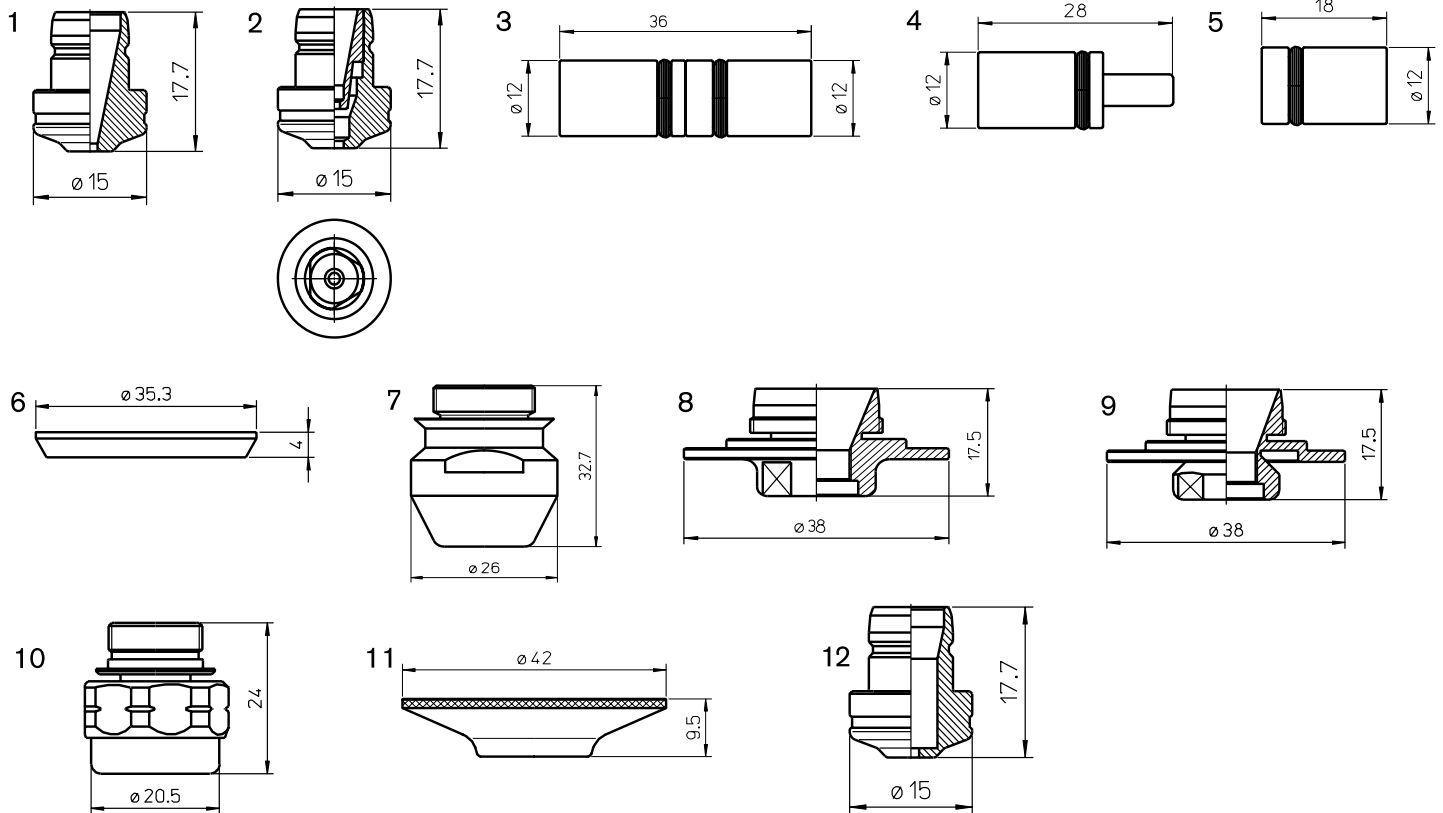
	Centricut part number	Reference number	Alternate reference	Description	Pkg qty
	BY319-4271	3-04271, 08	L82	Nozzle - 0.8 mm	1
	BY319-4271X	3-04271, 08	L3082	Nozzle - 0.8 mm (10 pack)	10
	BY319-1894	3-01894, 10	L98	Nozzle - 1.0 mm	1
	BY319-1894X	3-01894, 10	L3098	Nozzle - 1.0 mm (10 pack)	10
	BY319-1895	3-01895, 12	L99	Nozzle - 1.25 mm	1
	BY319-1895X	3-01895, 12	L3099	Nozzle - 1.25 mm (10 pack)	10
	BY319-1896	3-01896, 15	L100	Nozzle - 1.5 mm	1
	BY319-1896X	3-01896, 15	L30100	Nozzle - 1.5 mm (10 pack)	10
	BY319-0897	3-01897, 17	L101	Nozzle - 1.75 mm	1
	BY319-1897	3-01897, 17	L30101	Nozzle - 1.75 mm (10 pack)	10
	BY319-1898	3-01898, 20	L102	Nozzle - 2.0 mm	1
	BY319-1898X	3-01898, 20	L30102	Nozzle - 2.0 mm (10 pack)	10
	BY319-4272	3-04272, 25	L676	Nozzle - 2.5 mm	1
	BY319-4272X	3-04272, 25	L30676	Nozzle - 2.5 mm (10 pack)	10
	BY319-4275	3-04275, H08	L673	Nozzle - 0.8 mm HD	1
	BY319-4275X	3-04275, H08	L30673	Nozzle - 0.8 mm HD (10 pack)	10
	BY319-1899	3-01899, H10	L88	Nozzle - 1.0 mm HD	1
	BY319-1899X	3-01899, H10	L3088	Nozzle - 1.0 mm HD (10 pack)	10
	BY319-1900	3-01900, H12	L103	Nozzle - 1.25 mm HD	1
	BY319-1900X	3-01900, H12	L30103	Nozzle - 1.25 mm HD (10 pack)	10
	BY319-1901	3-01901, H15	L104	Nozzle - 1.5 mm HD	1
1	BY319-1901X	3-01901, H15	L30104	Nozzle - 1.5 mm HD (10 pack)	10
	BY319-1902	3-01902, H17	L105	Nozzle - 1.75 mm HD	1
	BY319-1902X	3-01902, H17	L30105	Nozzle - 1.75 mm HD (10 pack)	10
	BY319-1903	3-01903, H20	L106	Nozzle - 2.0 mm HD	1
	BY319-1903X	3-01903, H20	L30106	Nozzle - 2.0 mm HD (10 pack)	10
	BY319-4276	3-04276, H25	L677	Nozzle - 2.5 mm HD	1
	BY319-4276X	3-04276, H25	L30677	Nozzle - 2.5 mm HD (10 pack)	10
	BY319-0030	H30	L679	Nozzle - 3.0 mm HD	1
	BY319-0030X	H30	L30679	Nozzle - 3.0 mm HD (10 pack)	10
	BY319-1899CP	3-01899, H10	L88X	Nozzle - 1.0 mm HD CP	1
	BY319-1899CPX	3-01899, H10	L3088X	Nozzle - 1.0 mm HD CP (10 pack)	10
	BY319-0900CP	3-01900, H12	L103X	Nozzle - 1.25 mm HD CP	1
	BY319-0900CPX	3-01900, H12	L30103X	Nozzle - 1.25 mm HD CP (10 pack)	10
	BY319-1901CP	3-01901, H15	L104X	Nozzle - 1.5 mm HD CP	1
	BY319-1901CPX	3-01901, H15	L30104X	Nozzle - 1.5 mm HD CP (10 pack)	10
	BY319-1902CP	3-01902, H17	L105X	Nozzle - 1.75 mm HD CP	1
	BY319-1902CPX	3-01902, H17	L30105X	Nozzle - 1.75 mm HD CP (10 pack)	10
	BY319-1903CP	3-01903, H20	L106X	Nozzle - 2.0 mm HD CP	1
	BY319-1903CPX	3-01903, H20	L30106X	Nozzle - 2.0 mm HD CP (10 pack)	10
	BY319-4276CP	3-04276, H25	L677X	Nozzle - 2.5 mm HD CP	1
	BY319-4276CPX	3-04276, H25	L30677X	Nozzle - 2.5 mm HD CP (10 pack)	10
	BY319-0030CP	H30	L679X	Nozzle - 3.0 mm HD CP	1
	BY319-0030CPX	H30	L30679X	Nozzle - 3.0 mm HD CP (10 pack)	10

Centricut is not affiliated with the named manufacturers. Reference to machines, parts, descriptions, and model numbers are for convenience in verifying compatibility only. All parts are made by or for Centricut and are not made by the referenced manufacturers (unless expressly indicated). Centricut is a registered trademark of Hypertherm, Inc. All other trademarks are the properties of their respective owners.


**Consumables**

	Centricut part number	Reference number	Alternate reference	Description	Pkg qty
	BY319-1015	N10-15	L1250	Nozzle - 1.0 mm double	1
	BY319-1015X	N10-15	L301250	Nozzle - 1.0 mm double (10 pack)	10
	BY319-1215	N12-15	L1251	Nozzle - 1.25 mm double	1
	BY319-1215X	N12-15	L301251	Nozzle - 1.25 mm double (10 pack)	10
	BY319-1515	N15-15	L1252	Nozzle - 1.5 mm double	1
	BY319-1515X	N15-15	L301252	Nozzle - 1.5 mm double (10 pack)	10
	BY319-1715	N17-15	L1253	Nozzle - 1.75 mm double	1
	BY319-1715X	N17-15	L301253	Nozzle - 1.75 mm double (10 pack)	10
	BY319-2015	N20-15	L1254	Nozzle - 2.0 mm double	1
	BY319-2015X	N20-15	L301254	Nozzle - 2.0 mm double (10 pack)	10
	BY319-2515	N25-15	L1255	Nozzle - 2.5 mm double	1
	BY319-2515X	N25-15	L301255	Nozzle - 2.5 mm double (10 pack)	10
	BY319-2520	N25-20	L1256	Nozzle - 2.5 mm double	1
	BY319-2520X	N25-20	L301256	Nozzle - 2.5 mm double (10 pack)	10
	BY319-3017	N30-17	L1257	Nozzle - 3.0 mm double	1
	BY319-3017X	N30-17	L301257	Nozzle - 3.0 mm double (10 pack)	10
	BY319-3020	N30-20	L1258	Nozzle - 3.0 mm double	1
	BY319-3020X	N30-20	L301258	Nozzle - 3.0 mm double (10 pack)	10
1	BY319-1015CP	N10-15	L1250X	Nozzle - 1.0 mm double CP	1
	BY319-1015CPX	N10-15	L301250X	Nozzle - 1.0 mm double CP (10 pack)	10
	BY319-1215CP	N12-15	L1251X	Nozzle - 1.25 mm double CP	1
	BY319-1215CPX	N12-15	L301251X	Nozzle - 1.25 mm double CP (10 pack)	10
	BY319-1515CP	N15-15	L1252X	Nozzle - 1.5 mm double CP	1
	BY319-1515CPX	N15-15	L301252X	Nozzle - 1.5 mm double CP (10 pack)	10
	BY319-1715CP	N17-15	L1253X	Nozzle - 1.75 mm double CP	1
	BY319-1715CPX	N17-15	L301253X	Nozzle - 1.75 mm double CP (10 pack)	10
	BY319-2015CP	N20-15	L1254X	Nozzle - 2.0 mm double CP	1
	BY319-2015CPX	N20-15	L301254X	Nozzle - 2.0 mm double CP (10 pack)	10
	BY319-2515CP	N25-15	L1255X	Nozzle - 2.5 mm double CP	1
	BY319-2515CPX	N25-15	L301255X	Nozzle - 2.5 mm double CP (10 pack)	10
	BY319-2520CP	N25-20	L1256X	Nozzle - 2.5 mm double CP	1
	BY319-2520CPX	N25-20	L301256X	Nozzle - 2.5 mm double CP (10 pack)	10
	BY319-3017CP	N30-17	L1257X	Nozzle - 3.0 mm double CP	1
	BY319-3017CPX	N30-17	L301257X	Nozzle - 3.0 mm double CP (10 pack)	10
	BY319-3020CP	N30-20	L1258X	Nozzle - 3.0 mm double CP	1
	BY319-3020CPX	N30-20	L301258X	Nozzle - 3.0 mm double CP (10 pack)	10



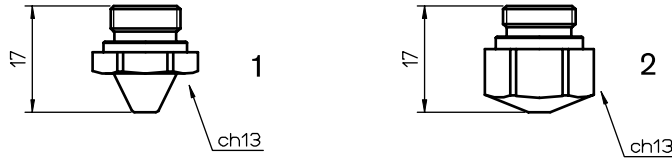


### Consumables

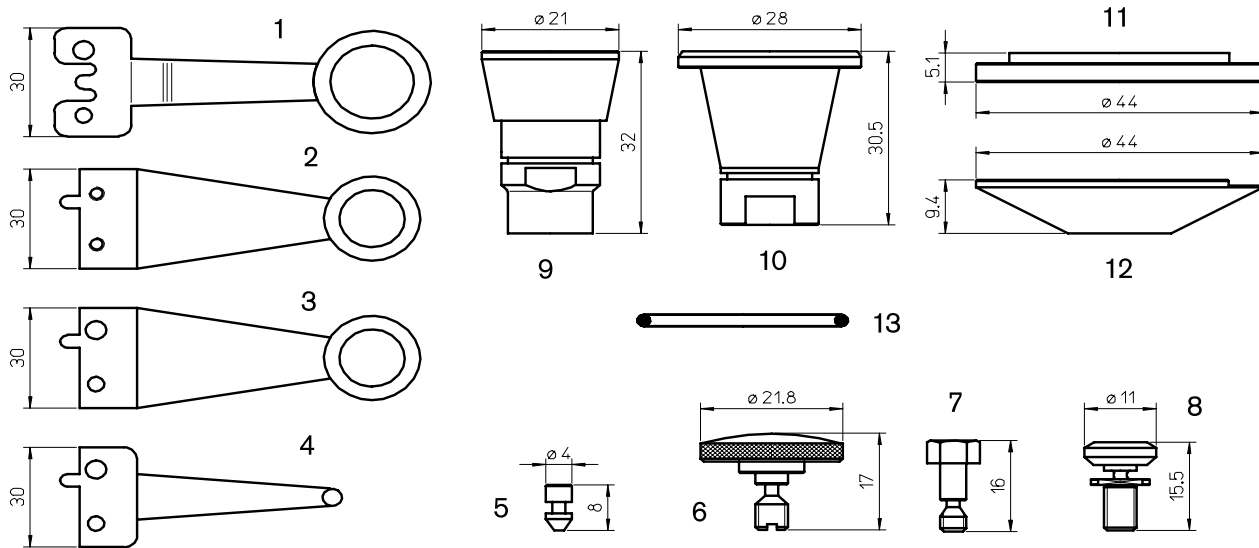
	Centricut part number	Reference number	Alternate reference	Description	Pkg qty
1	BY310-8529	10048529 - HK8	L1660	Nozzle - 0.8 mm	1
	BY310-8529X	10048529 - HK8	L301660	Nozzle - 0.8 mm (10 pack)	10
	BY310-5266	10035266 - HK10	L1661	Nozzle - 1.0 mm	1
	BY310-5266X	10035266 - HK10	L301661	Nozzle - 1.0 mm (10 pack)	10
	BY310-5267	10035267 - HK12	L1662	Nozzle - 1.2 mm	1
	BY310-5267X	10035267 - HK12	L301662	Nozzle - 1.2 mm (10 pack)	10
	BY310-5268	0035268 - HK15	L1663	Nozzle - 1.5 mm	1
	BY310-5268X	0035268 - HK15	L301663	Nozzle - 1.5 mm (10 pack)	10
	BY310-5269	10035269 - HK17	L1664	Nozzle - 1.7 mm	1
	BY310-5269X	10035269 - HK17	L301664	Nozzle - 1.7 mm (10 pack)	10
	BY310-5270	10035270 - HK20	L1665	Nozzle - 2.0 mm	1
	BY310-5270X	10035270 - HK20	L301665	Nozzle - 2.0 mm (10 pack)	10
	BY310-5271	10035271 - HK25	L1666	Nozzle - 2.5 mm	1
	BY310-5271X	10035271 - HK25	L301666	Nozzle - 2.5 mm (10 pack)	10
	BY310-5272	10035272 - HK30	L1667	Nozzle - 3.0 mm	1
	BY310-5272X	10035272 - HK30	L301667	Nozzle - 3.0 mm (10 pack)	10
	BY310-9744	10049744 - HK35	L1668	Nozzle - 3.5 mm	1
	BY310-9744X	10049744 - HK35	L301668	Nozzle - 3.5 mm (10 pack)	10

**Consumables**

	Centricut part number	Reference number	Alternate reference	Description	Pkg qty
	BY310-9747	10049747 - NK1015	L1670	Nozzle - 1.0 mm double	1
	BY310-9747X	10049747 - NK1015	L301670	Nozzle - 1.0 mm double (10 pack)	10
	BY310-5275	10035275 - NK1215	L1671	Nozzle - 1.2 mm double	1
	BY310-5275X	10035275 - NK1215	L301671	Nozzle - 1.2 mm double (10 pack)	10
	BY310-5278	10035278 - NK1515	L1672	Nozzle - 1.5 mm double	1
	BY310-5278X	10035278 - NK1515	L301672	Nozzle - 1.5 mm double (10 pack)	10
	BY310-5290	10035290 - NK1715	L1673	Nozzle - 1.7 mm double	1
	BY310-5290X	10035290 - NK1715	L301673	Nozzle - 1.7 mm double (10 pack)	10
	BY310-5292	10035292 - NK2015	L1674	Nozzle - 2.0 mm double	1
2	BY310-5292X	10035292 - NK2015	L301674	Nozzle - 2.0 mm double (10 pack)	10
	BY310-5294	10035294 - NK2515	L1675	Nozzle - 2.5 mm double	1
	BY310-5294X	10035294 - NK2515	L301675	Nozzle - 2.5 mm double (10 pack)	10
	BY310-5296	10035296 - NK2520	L1676	Nozzle - 2.5 mm double w/2.0 inner	1
	BY310-5296X	10035296 - NK2520	L301676	Nozzle - 2.5 mm double w/2.0 inner (10 pack)	10
	BY310-5298	10035298 - NK3017	L1677	Nozzle - 3.0 mm double w/1.7 inner	1
	BY310-5298X	10035298 - NK3017	L301677	Nozzle - 3.0 mm double w/1.7 inner (10 pack)	10
	BY310-5301 <b>NEW</b>	10035301 - NK3020	L1678	Nozzle - 3.0 mm double w/2.0 inner	1
	BY310-5301X	10035301 - NK3020	L301678	Nozzle - 3.0 mm double w/2.0 inner (10 pack)	10
	BY310-5302	10035302 - NK3530	L1679	Nozzle - 3.5 mm double w/3.0 inner	1
	BY310-5302X	10035302 - NK3530	L301679	Nozzle - 3.5 mm double w/3.0 inner (10 pack)	10
3	BY327-3210	7023207, 7023208	AL418	Water connector set	1
4	BY328-3207	7023207	AL416	Water connector male	1
5	BY328-3208	7023208	AL417	Water connector female	1
6	BY328-9016 <b>NEW</b>	10046025 08-12-04-9016	AL441	Isolator ceramic ring	1
7	BY328-4061	10034061	AL450	Nozzle adapter	1
8	BY328-6030	10046030	AL451	Nozzle adapter	1
9	BY328-1133	10051133	AL452	Nozzle adapter	1
10	BY328-4099 <b>NEW</b>	10064099	AL449	Nozzle body	1
11	BY310-0398		AL398	CL signboard	1
12	BY310-1682		L1682	Nozzle - 2.0 mm centering	1

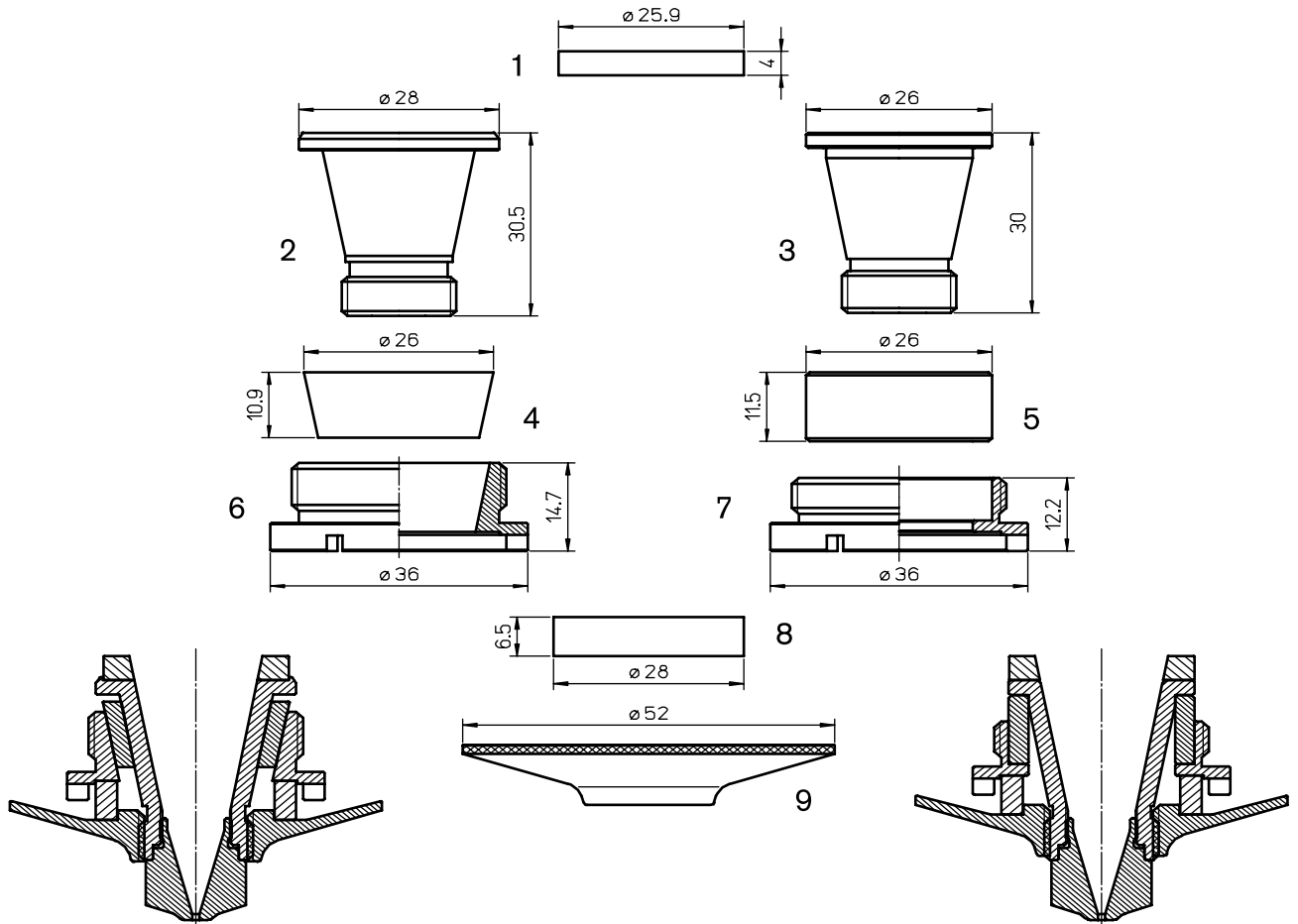

**Consumables**

	Centricut part number	Reference number	Alternate reference	Description	Pkg qty
1	BY318-4271	3-04271, 08	L22	Nozzle - 0.8 mm	1
	BY318-4271X	3-04271, 08	L3022	Nozzle - 0.8 mm (10 pack)	10
	BY318-1894	3-01894, 10	L14	Nozzle - 1.0 mm	1
	BY318-1894X	3-01894, 10	L3014	Nozzle - 1.0 mm (10 pack)	10
	BY318-1895	3-01895, 12	L41	Nozzle - 1.25 mm	1
	BY318-1895X	3-01895, 12	L3041	Nozzle - 1.25 mm (10 pack)	10
	BY318-1896	3-01896, 15	L17	Nozzle - 1.5 mm	1
	BY318-1896X	3-01896, 15	L3017	Nozzle - 1.5 mm (10 pack)	10
	BY318-1897	3-01897, 17	L42	Nozzle - 1.75 mm	1
	BY318-1897X	3-01897, 17	L3042	Nozzle - 1.75 mm (10 pack)	10
	BY318-1898	3-01898, 20	L33	Nozzle - 2.0 mm	1
	BY318-1898X	3-01898, 20	L3033	Nozzle - 2.0 mm (10 pack)	10
	BY318-1899	3-01899, H10	L43	Nozzle - 1.0 mm HD	1
	BY318-1899X	3-01899, H10	L3043	Nozzle - 1.0 mm HD (10 pack)	10
	BY318-1900	3-01900, H12	L16	Nozzle - 1.25 mm HD	1
	BY318-1900X	3-01900, H12	L3016	Nozzle - 1.25 mm HD (10 pack)	10
	BY318-1901	3-01901, H15	L44	Nozzle - 1.5 mm HD	1
	BY318-1901X	3-01901, H15	L3044	Nozzle - 1.5 mm HD (10 pack)	10
	BY318-1902	3-01902, H17	L45	Nozzle - 1.75 mm HD	1
	BY318-1902X	3-01902, H17	L3045	Nozzle - 1.75 mm HD (10 pack)	10
BY318-1903	3-01903, H20	L46	Nozzle - 2.0 mm HD	1	
BY318-1903X	3-01903, H20	L3046	Nozzle - 2.0 mm HD (10 pack)	10	
2	BY320-4273	3-04273, K08	L71	Nozzle - 0.8 mm	1
	BY320-4273X	3-04273, K08	L3071	Nozzle - 0.8 mm (10 pack)	10
	BY320-1905	3-01905, K10	L107	Nozzle - 1.0 mm	1
	BY320-1905X	3-01905, K10	L30107	Nozzle - 1.0 mm (10 pack)	10
	BY320-1906	3-01906, K12	L108	Nozzle - 1.25 mm	1
	BY320-1906X	3-01906, K12	L30108	Nozzle - 1.25 mm (10 pack)	10
	BY320-1907	3-01907, K15	L109	Nozzle - 1.5 mm	1
	BY320-1907X	3-01907, K15	L30109	Nozzle - 1.5 mm (10 pack)	10
	BY320-1908	3-01908, K17	L110	Nozzle - 1.75 mm	1
	BY320-1908X	3-01908, K17	L30110	Nozzle - 1.75 mm (10 pack)	10
	BY320-1909	3-01909, K20	L111	Nozzle - 2.0 mm	1
	BY320-1909X	3-01909, K20	L30111	Nozzle - 2.0 mm (10 pack)	10
	BY320-1910	3-01910, HK10	L89	Nozzle - 1.0 mm HD	1
	BY320-1910X	3-01910, HK10	L3089	Nozzle - 1.0 mm HD (10 pack)	10
	BY320-1911	3-01911, HK12	L112	Nozzle - 1.25 mm HD	1
	BY320-1911X	3-01911, HK12	L30112	Nozzle - 1.25 mm HD (10 pack)	10
	BY320-1912	3-01912, HK15	L113	Nozzle - 1.5 mm HD	1
	BY320-1912X	3-01912, HK15	L30113	Nozzle - 1.5 mm HD (10 pack)	10
	BY320-1913	3-01913, HK17	L114	Nozzle - 1.75 mm HD	1
	BY320-1913X	3-01913, HK17	L30114	Nozzle - 1.75 mm HD (10 pack)	10
BY320-1914	3-01914, HK20	L115	Nozzle - 2.0 mm HD	1	
BY320-1914X	3-01914, HK20	L30115	Nozzle - 2.0 mm HD (10 pack)	10	


**Accessories**

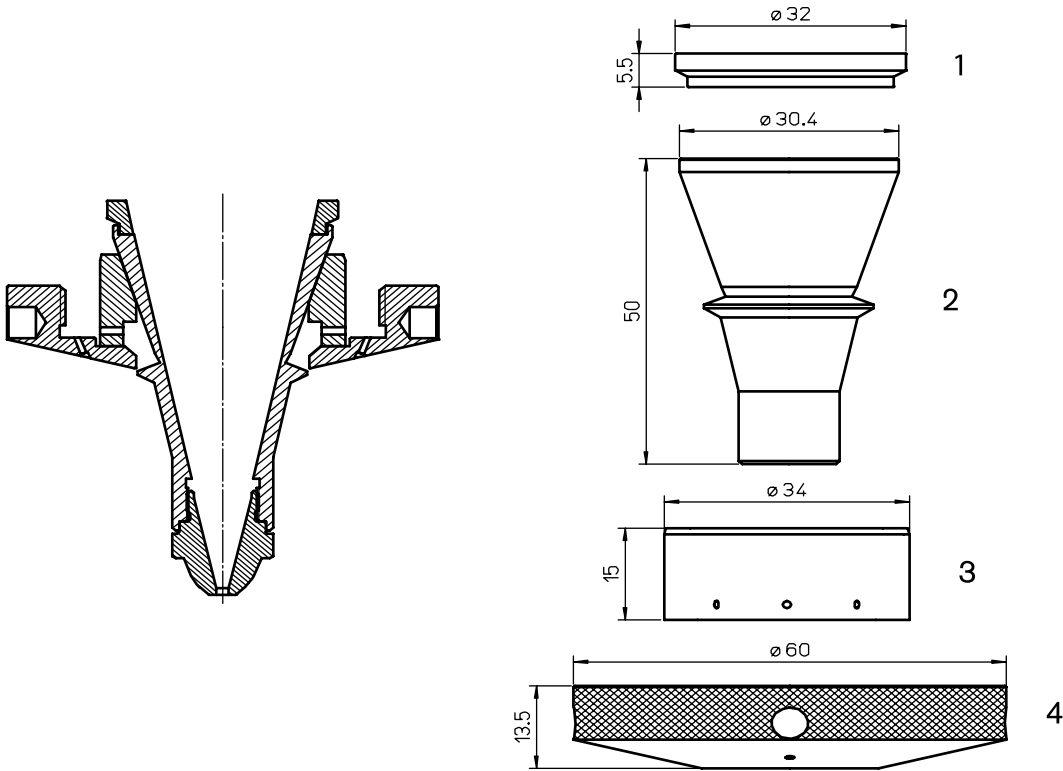
	Centricut part number	Reference number	Alternate reference	Description	Pkg qty
1	BY328-5530	3-05530	AL26	Scanner	1
2	BY328-2015	2-01262	AL5	Scanner	1
3	BY328-0015	2-02015	AL252	Scanner	1
4	BY328-2016	2-02016	AL251	Ball scanner	1
5	BY328-3137	4-03137	AL24	Pin	5
6	BY328-3136	4-03136	AL25	Knurled screw - brass	1
7	BY328-0324	4-00324	AL1	Knurled screw	1
8	BY328-9001	3-09001	AL208	Cross jet screw	1
9	BY328-2291	3-02291	AL188	Nozzle body	1
10	BY328-5497	3-05497	AL102	Nozzle body - copper	1
11	BY328-3663-T	3-03663-T	AL206	Disc PTFE*	1
12	BY328-3663-C	3-03663-C	AL205	Signboard - ceramic	1
13	BY328-1300	3141300	AL225	O-ring	1
	BY328-1122	3141122	AL226	O-ring	1
	BY328-0236	3140236	3140236	O-ring	1
	BY328-0820	3140820	AL99	O-ring for lens	1
	BY328-0004 (not shown)		AL246	Screw kit (3 pcs) for BY328-3663-C	3

\*PolyTetraFluoroEthylene is a fluorocarbon-based polymer and is commonly abbreviated PTFE. The Teflon® brand of PTFE is manufactured only by DuPont and is not sold by Hypertherm. Hypertherm purchases other brands of PTFE from various high quality manufacturers.

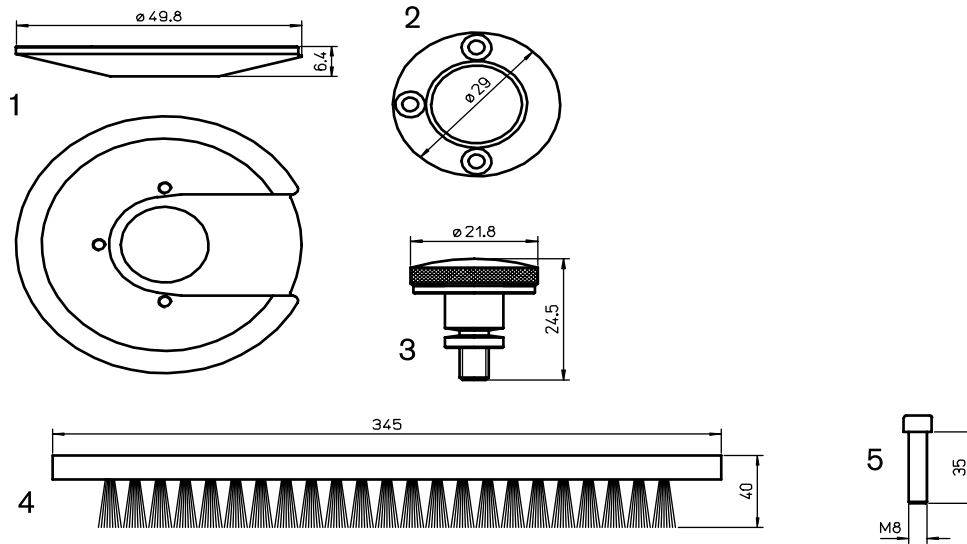


Consumables

	Centricut part number	Reference number	Alternate reference	Description	Pkg qty
1	BY328-0642	4-01642	AL125	Insulation disc - ceramic	1
	BY328-1642	4-01642	AL231	Insulation disc (new version) - ceramic	1
2	BY328-8701	2-08701	AL172	Nozzle body	1
3	BY359-2930	10032930	AL423	Nozzle body	1
4	BY328-0959	4-01959	AL124	Cone - ceramic	1
	BY328-1959	4-01959	AL230	Cone (new version) - ceramic	1
5	BY359-2838	10032838	AL425	Ceramic insulating ring	1
6	BY328-1071	3-11071	AL174	Fastening nut	1
7	BY359-2839	10032839	AL424	Fastening nut	1
8	BY328-9010	4-09010	AL126	Insulation ring - ceramic	1
9	BY328-8700	2-08700	AL173	Signboard	1
	BY328-0005	2-08700	AL173X	Signboard - CP	1


**Consumables**

	Centricut part number	Reference number	Alternate reference	Description	Pkg qty
1	BY359-3113	3-13113	AL215	Insulating ring	1
2	BY359-0837	2-10837	AL214	Nozzle body	1
3	BY359-3422	3-13422	AL216	Insulating ring w/holes	1
4	BY359-3110	3-13110	AL258	Shield - copper	1



Accessories

	Centricut part number	Reference number	Alternate reference	Description	Pkg qty
1	BY359-6035	3-06035	AL222	Signboard copper only	1
	BY359-0001		AL245	Screw kit (3 pcs) for BY359-6035	3
2	BY328-328-1	3-06035-T	AL120	Disc PTFE*	1
3	BY328-4976	4-04976	AL209	Knurled screw	1
4	BY328-6511	2-06511	AL300	Brush w/screws	1
5	BY328-3884	333884	333884	Plastic screws (2 pcs)	2
<b>Filters - not shown</b>					
	BY328-0020	D020	7004621	Air filter	1
	BY328-4753	71064753	7001341	Vacuum pump filter	1
	BY328-0145	8820145	8820145	Water filter 60/MC	1
	BY328-0154	8820154	8820154	Water filter 140M/C	1
	BY328-9417	A37100MFO	7509417	Filter 37x106	1
	BY328-9412		7509412	Air filter (active coal)	1
	BY328-9412L <b>NEW</b>	7509412 - long		Air filter (active coal) Long - 190 mm	1
	BY328-2456	502456	502456	Vacuum pump filter - 4000W	1

\*PolyTetraFluoroEthylene is a fluorocarbon-based polymer and is commonly abbreviated PTFE. The Teflon® brand of PTFE is manufactured only by DuPont and is not sold by Hypertherm. Hypertherm purchases other brands of PTFE from various high quality manufacturers.

**Optics**

Centricut part number	Reference number	Type	Diameter	Focal length	Edge thickness
<b>Lenses</b>					
BY314-0185	4-00185	MEN	1.5"	3.75"	.236"
BY314-0736	4-10736	MEN	1.5"	3.75"	.354"
BY314-0186	4-00186	MEN	1.5"	5.00"	.236"
BY314-0187	4-00187	MEN	1.5"	7.50"	.236"
BY314-5094	4-05094	MEN	1.5"	5.00"	.354"
BY314-1644	120216, 621644	MEN	1.5"	5.00"	.354"
BY314-5095	4-05095	MEN	1.5"	7.50"	.354"
BY314-8637	698637	MEN	1.5"	7.50"	.354"
BY314-7475		MEN	1.5"	5.00"	.354"
<b>Ultra low absorption lenses</b>					
BY314-0186MP5	4-00186	MEN	1.5"	5.00"	.236"
BY314-0187MP5	4-00187	MEN	1.5"	7.50"	.236"
BY314-5094MP5	4-05094	MEN	1.5"	5.00"	.354"
BY314-5095MP5	4-05095	MEN	1.5"	7.50"	.354"
BY314-8294MP5	996707	MEN	1.5"	9.00"	.354"
BY314-7014MP5	460386	MEN	1.5"	10.00"	.354"

Centricut part number	Reference number	Type	Diameter	Edge thickness
<b>Windows</b>				
BY314-5746	10-02-01-5511,10045746,968752	FS	36.00 mm	5.00 mm

**Optics care**

Centricut part number	Reference number	Description	Pkg qty
TR300-6452	N/A	Lens cleaning paper, Tiffen – 50 piece	1
AM313-SC50	SC50	Lens cleaning paper, Tresor – 50 piece	1
TR300-1115		Lens cleaning pre-cut cotton – 80 piece	1
TR300-SC20		Cotton swab – 20 piece	1
TR300-1010	AL1010	Dropper, lens cleaning fluid	1
TR300-1112		Optical cleaning fluid	1
TR300-0699	70675699 REVA	Lens Cleaning Swabs (25 pack)	1
TR300-7991	027991	Polyester Wipes 4" x 4"	1
TR301-0282		Injector	1
TR300-LSA		Lens stress analyzer	1
TR300-255	AL255	Loupe, magnifying	1
TR300-271	AL271	Base, lens maintenance	1
TR300-7388	787388	Mirror polish (250 ml)	1



## Technical support

- Our technical service team can answer questions about any laser or plasma cutting system. Whether it's a question about a part, a system, or for guidance on how to optimize performance, our experts can help.
- We stand behind our products with industry-leading technical expertise
- OEM trained technicians on staff with over 25 years experience



**HELPING YOU  
SHAPE THE WORLD.**



PLASMA | LASER | WATERJET | AUTOMATION | SOFTWARE | CONSUMABLES

For more information on Centricut laser products, visit  
[www.hypertherm.com/centricut/laser](http://www.hypertherm.com/centricut/laser)

Hypertherm, Centricut, SilverLine and CoolFlow are trademarks of Hypertherm Inc., and may be registered in the United States and/or other countries. All other trademarks are the property of their respective owners.

One of Hypertherm's long-standing core values is a focus on minimizing our impact on the environment. Doing so is critical to our, and our customers' success. We are always striving to become better environmental stewards; it is a process we care deeply about.

© 12/2016 Hypertherm Inc.



**Hypertherm**<sup>®</sup>  
SHAPING POSSIBILITY™

