



2017 catalog

For CO₂ and fiber laser consumables

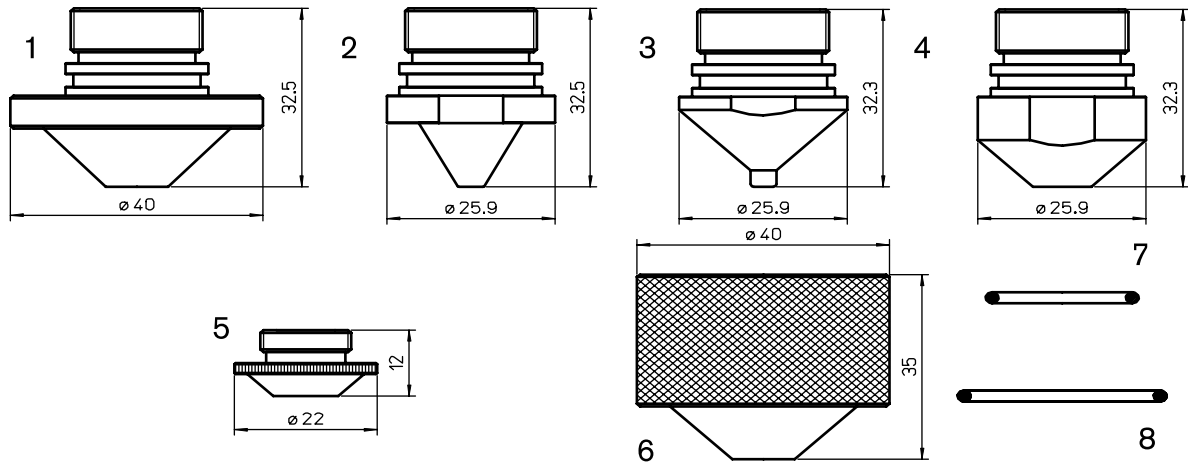
Replacements parts suitable for Amada®



Our value proposition

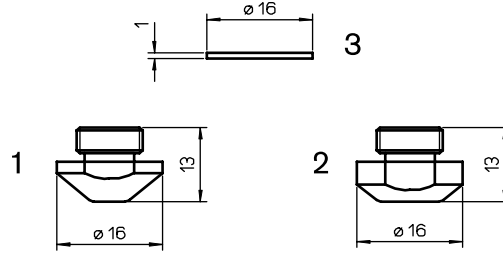
- Product breadth – with over 2,800 part numbers
- OEM quality/consistency for nozzles, ceramics and optics
- Technical/application support from OEM-trained technicians
- 100% satisfaction guarantee



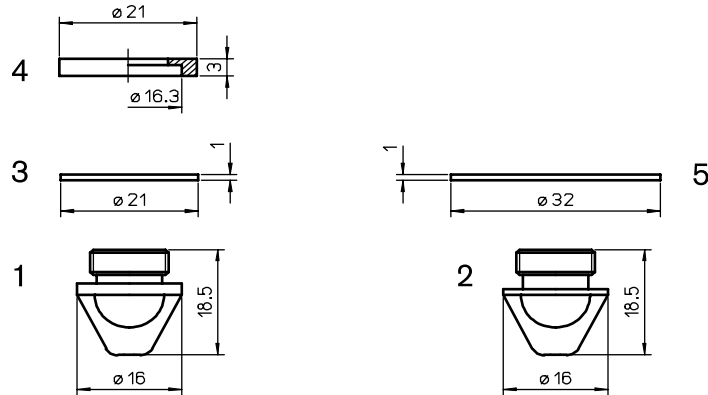


Consumables

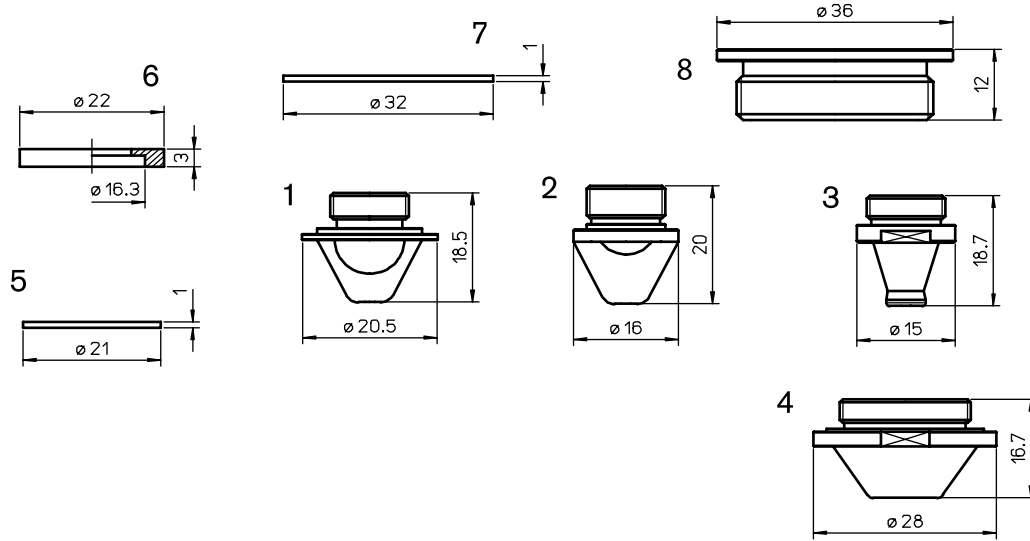
	Centricut part number	Reference number	Alternate reference	Description	Pkg qty
1	AM425-1000	71101000	L896X	Nozzle - 1.5 mm CP clean cut	1
	AM425-2000	71102000	L897X	Nozzle - 1.75 mm CP clean cut	1
	AM425-1999	71101999	L898X	Nozzle - 2.0 mm CP clean cut	1
	AM425-0999	71101999	L899X	Nozzle - 2.5 mm CP clean cut	1
2	AM324-6892-1.3	6506892	L81X	Nozzle - 1.3 mm CP	1
	AM324-6815CP	6506892	L92X	Nozzle - 1.5 mm CP	1
	AM324-0092CP	6506892	L93X	Nozzle - 1.8 mm CP	1
	AM324-6892-2.0	74712001, 6506892	L39X	Nozzle - 2.0 mm CP	1
3	AM308-1913CP	71101901	L63X	Nozzle - 1.3 mm CP	1
	AM308-1902	71101902	L91X	Nozzle - 1.5 mm CP	1
	AM308-1918CP	71101901	L75X	Nozzle - 1.8 mm CP	1
	AM308-1901-2.0	71101901, 845735	L29X	Nozzle - 2.0 mm CP	1
	AM308-1925CP		L809X	Nozzle - 2.5 mm CP	1
	AM308-1930CP	71101901	L808X	Nozzle - 3.0 mm CP	1
4	AM308-2013CP		L297X	Nozzle - 1.3 mm CP	1
	AM308-2015CP	62094001, 71102001	L298X	Nozzle - 1.5 mm CP	1
	AM308-2018CP	62094001, 71102001	L299X	Nozzle - 1.8 mm CP	1
	AM308-2020CP	62094001, 71102001	L300X	Nozzle - 2.0 mm CP	1
	AM308-2030CP	62094002, 71102005	L301X	Nozzle - 3.0 mm CP	1
5	AM308-8810CP		L85X	Nozzle - 1.0 mm CP	1
	AM308-8812CP		L94X	Nozzle - 1.25 mm CP	1
	AM308-8815CP		L95X	Nozzle - 1.5 mm CP	1
	AM308-8817CP		L96X	Nozzle - 1.75 mm CP	1
	AM308-8820CP	74718816, 8249301	L38X	Nozzle - 2.0 mm CP	1
6	AM308-1905	71101905, 841143B	L30X	Nozzle, outer CP	1
7	AM308-S-20	S-20	AL90	O-ring (for nozzles)	10
8	AM308-AS-34	1AS-34	AL96	O-ring (for AM308-1905)	1


Consumables

	Centricut part number	Reference number	Alternate reference	Description	Pkg qty
1	AM325-4010CP	62094006	L171X	Nozzle - 1.0 mm CP	1
	AM325-4010CPX	62094006	L30171X	Nozzle - 1.0 mm CP (10 pack)	10
	AM325-4006-1.3	62094006	L172X	Nozzle - 1.25 mm CP	1
	AM325-4125CPX	62094006	L30172X	Nozzle - 1.25 mm CP (10 pack)	10
	AM325-4006-1.5	62094006, 1507610	L173X	Nozzle - 1.5 mm CP	1
	AM325-4015CPX	62094006, 1507610	L30173X	Nozzle - 1.5 mm CP (10 pack)	10
	AM325-4175CP	62094006	L174X	Nozzle - 1.75 mm CP	1
	AM325-4175CPX	62094006	L30174X	Nozzle - 1.75 mm CP (10 pack)	10
	AM325-4006-2.0	62094006, 1507611	L27X	Nozzle - 2.0 mm CP	1
	AM325-4020CPX	62094006, 1507611	L3027X	Nozzle - 2.0 mm CP (10 pack)	10
	AM325-4025CP	62094006	L175X	Nozzle - 2.5 mm CP	1
	AM325-4025CPX	62094006	L30175X	Nozzle - 2.5 mm CP (10 pack)	10
	AM325-4006-3.0	62094008, 71102007	L28X	Nozzle - 3.0 mm CP	1
	AM325-4030CPX	62094008, 71102007	L3028X	Nozzle - 3.0 mm CP (10 pack)	10
2	AM325-1090CP	62094005	L750X	Nozzle - 1.0 mm CP	1
	AM325-1090CPX	62094005	L30750X	Nozzle - 1.0 mm CP (10 pack)	10
	AM325-4005CP	62094005	L751X	Nozzle - 1.25 mm CP	1
	AM325-4005CPX	62094005	L30751X	Nozzle - 1.25 mm CP (10 pack)	10
	AM325-4005-1.5	62094005, 71341515	L752X	Nozzle - 1.5 mm CP	1
	AM325-1515CPX	62094005, 71341515	L30752X	Nozzle - 1.5 mm CP (10 pack)	10
	AM325-1517CP	62094005, 71341515-1.75	L753X	Nozzle - 1.75 mm CP	1
	AM325-1517CPX	62094005, 71341515-1.75	L30753X	Nozzle - 1.75 mm CP (10 pack)	10
	AM325-4005-2.0	62094005, 71102006	L754X	Nozzle - 2.0 mm CP	1
	AM325-1520CPX	62094005, 71102006	L30754X	Nozzle - 2.0 mm CP (10 pack)	10
	AM325-1525CP	62094005	L755X	Nozzle - 2.5 mm CP	1
	AM325-1525CPX	62094005	L30755X	Nozzle - 2.5 mm CP (10 pack)	10
	AM325-1530CP	62094005, 71341515-3.0	L756X	Nozzle - 3.0 mm CP	1
	AM325-1530CPX	62094005, 71341515-3.0	L30756X	Nozzle - 3.0 mm CP (10 pack)	10
3	AM325-4006-R	62094006	AL107	Head protection disc - 16 mm (plastic)	1


Consumables

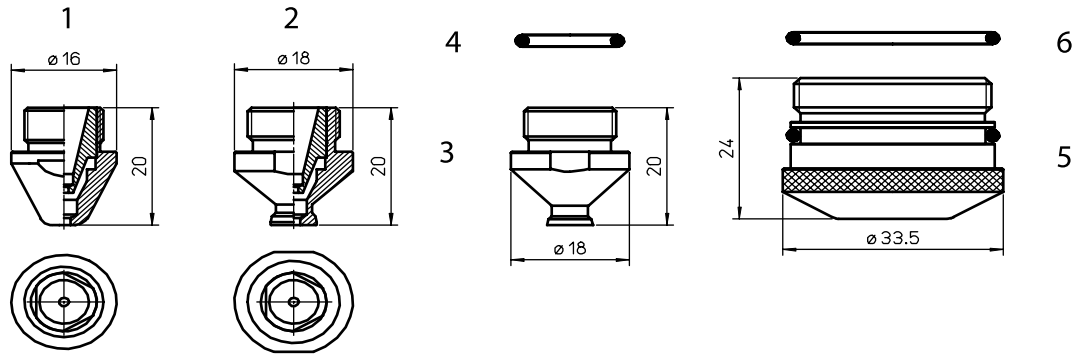
	Centricut part number	Reference number	Alternate reference	Description	Pkg qty
1	AM325-0008CP		L760X	Nozzle - 0.8 mm CP	1
	AM325-0008CPX		L30760X	Nozzle - 0.8 mm CP (10 pack)	10
	AM325-545U-1.0	1664545U	L134X	Nozzle - 1.0 mm CP	1
	AM325-0010CPX	1664545U	L30134X	Nozzle - 1.0 mm CP (10 pack)	10
	AM325-545U-1.25	1664545U	L135X	Nozzle - 1.25 mm CP	1
	AM325-0125CPX	1664545U	L30135X	Nozzle - 1.25 mm CP (10 pack)	10
	AM325-545U-1.5	1664545U	L86X	Nozzle - 1.5 mm CP	1
	AM325-0015CPX	1664545U	L3086X	Nozzle - 1.5 mm CP (10 pack)	10
	AM325-545U-1.75	1664545U	L136X	Nozzle - 1.75 mm CP	1
	AM325-0175CPX	1664545U	L30136X	Nozzle - 1.75 mm CP (10 pack)	10
	AM325-545U-2.0	1664644U, 71341610	L137X	Nozzle - 2.0 mm CP	1
	AM325-0020CPX	1664644U, 71341610	L30137X	Nozzle - 2.0 mm CP (10 pack)	10
	AM325-545U-2.5	1664545U	L203X	Nozzle - 2.5 mm CP	1
	AM325-0025CPX	1664545U	L30203X	Nozzle - 2.5 mm CP (10 pack)	10
	AM325-4544U	1664645U, 71360142	L138X	Nozzle - 3.0 mm CP	1
	AM325-4544UX	1664645U, 71360142	L30138X	Nozzle - 3.0 mm CP (10 pack)	10
	AM325-0400CP		L339X	Nozzle - 4.0 mm CP	1
	AM325-0400CPX		L30339X	Nozzle - 4.0 mm CP (10 pack)	10
AM325-0050CP		L763X	Nozzle - 5.0 mm CP	1	
AM325-0050CPX		L30763X	Nozzle - 5.0 mm CP (10 pack)	10	
2	AM325-0001CP	Centricut design	L192X	Nozzle - 1.0 mm CP	1
	AM325-0001CPX	Centricut design	L30192X	Nozzle - 1.0 mm CP (10 pack)	10
	AM325-0002CP	Centricut design	L193X	Nozzle - 1.25 mm CP	1
	AM325-0002CPX	Centricut design	L30193X	Nozzle - 1.25 mm CP (10 pack)	10
	AM325-0003CP	Centricut design	L194X	Nozzle - 1.5 mm CP	1
	AM325-0003CPX	Centricut design	L30194X	Nozzle - 1.5 mm CP (10 pack)	10
	AM325-0004CP	Centricut design	L195X	Nozzle - 1.75 mm CP	1
	AM325-0004CPX	Centricut design	L30195X	Nozzle - 1.75 mm CP (10 pack)	10
	AM325-0005CP	Centricut design	L196X	Nozzle - 2.0 mm CP	1
	AM325-0005CPX	Centricut design	L30196X	Nozzle - 2.0 mm CP (10 pack)	10
	AM325-0006CP	Centricut design	L197X	Nozzle - 2.5 mm CP	1
	AM325-0006CPX	Centricut design	L30197X	Nozzle - 2.5 mm CP (10 pack)	10
AM325-0007CP	Centricut design	L198X	Nozzle - 3.0 mm CP	1	
AM325-0007CPX	Centricut design	L30198X	Nozzle - 3.0 mm CP (10 pack)	10	
3	AM325-325-1	71341614	AL1005	Head protection disc - 21 mm (plastic)	1
	AM325-1614	71341614	AL122	Head protection disc - 21 mm (Vespe®)	1
4	AM325-325-2		AL123	Head protection disc - 21 mm (ceramic)	1
5	AM325-9819	71369819	AL42	Head protection disc - 32 mm (plastic)	1



Consumables

	Centricut part number	Reference number	Alternate reference	Description	Pkg qty
1	AM325-1500CP		L1067X	Nozzle - 1.5 mm CP large flange	1
	AM325-2000CP		L1066X	Nozzle - 2.0 mm CP large flange	1
	AM325-3000CP		L1068X	Nozzle - 3.0 mm CP large flange	1
2	AM325-1770	71341770, 1667110	L1285X	Nozzle - 2.0 mm CP	1
	AM325-1730		L1287X	Nozzle - 3.0 mm CP	1
3	AM369-0001		L926X	Nozzle - 0.8 mm HP-X CP	1
	AM369-0002		L927X	Nozzle - 1.0 mm HP-X CP	1
	AM369-0003		L928X	Nozzle - 1.2 mm HP-X CP	1
	AM369-0009	71398902, 1034-00-5-1	L933X	Nozzle - 1.4 mm HP-X CP	1
	AM369-0004		L929X	Nozzle - 1.5 mm HP-X CP	1
	AM369-0005		L930X	Nozzle - 2.0 mm HP-X CP	1
	AM369-0006		L931X	Nozzle - 2.5 mm HP-X CP	1
AM369-0007		L932X	Nozzle - 3.0 mm HP-X CP	1	
4	AM369-0008		AL220X	Nozzle, outer HP-X CP	1
5	AM325-325-1	71341614	AL1005	Head protection disc - 21 mm - plastic	1
	AM325-1614	71341614	AL122	Head protection disc - 21 mm - Vespel®	1
6	AM325-325-2		AL123	Head protection disc - 21 mm - ceramic	1
7	AM325-9819	71639819	AL42	Head protection disc - 32 mm - plastic	1
8	AM325-0387		AL387	Ceramic spacer 36x12	1

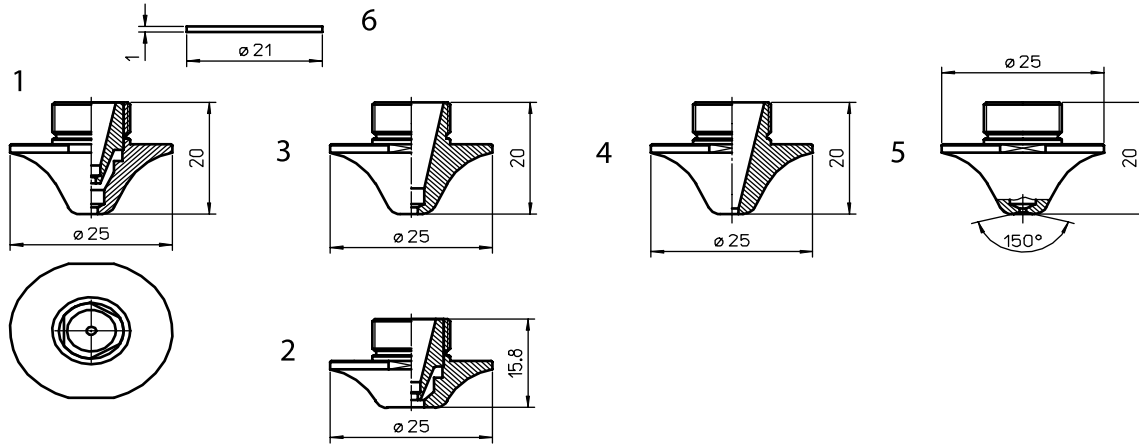
Centricut is not affiliated with the named manufacturers. Reference to machines, parts, descriptions, and model numbers are for convenience in verifying compatibility only. All parts are made by or for Centricut and are not made by the referenced manufacturers (unless expressly indicated). Centricut is a registered trademark of Hypertherm, Inc. All other trademarks are the properties of their respective owners.



Consumables

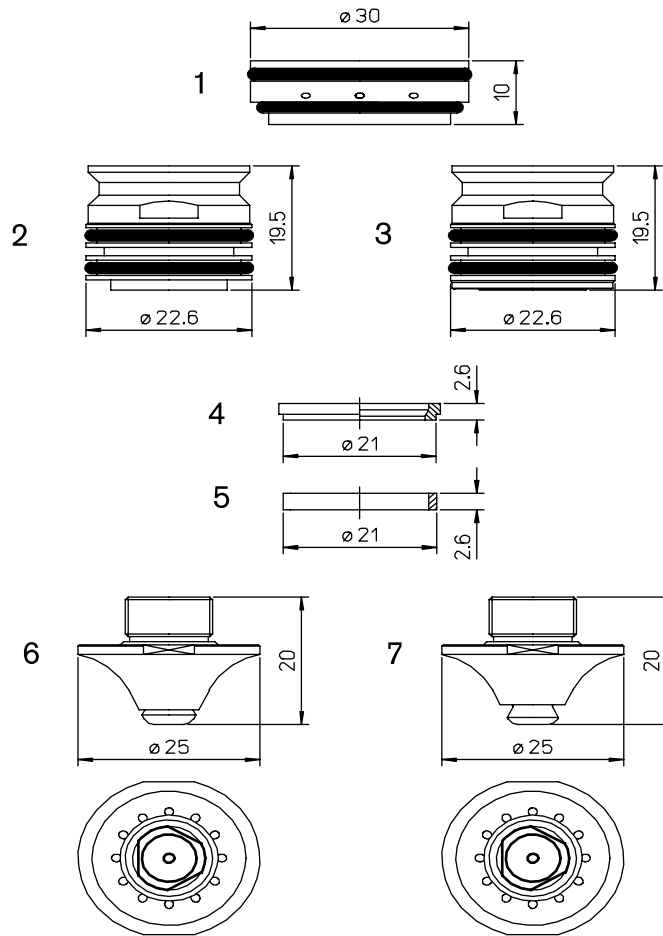
	Centricut part number	Reference number	Alternate reference	Description	Pkg qty
1	AM326-9864-1.0	1669864, 7134162	L390X	Nozzle - 1.0 mm double CP	1
	AM326-9864-1.2	1669864, 7134162	L392X	Nozzle - 1.2 mm double CP	1
	AM326-9864-1.4	1669864, 7134162	L393X	Nozzle - 1.4 mm double CP	1
	AM326-9864-1.5	1669864, 7134162	L391X	Nozzle - 1.5 mm double CP	1
	AM326-9864CP	1669864, 7134162	L780X	Nozzle - 1.8 mm double CP	1
	AM326-9864-2.0	1669864, 7134162	L315X	Nozzle - 2.0 mm double CP	1
	AM326-9864-2.5	1669864, 7134162	L316X	Nozzle - 2.5 mm double CP	1
	AM326-9864-3.0	1669864, 7134163	L317X	Nozzle - 3.0 mm double CP	1
	AM326-4135CP	1669864, 7134162	L768X	Nozzle - 3.5 mm double CP	1
	AM326-4138CP	1669864, 7134162	L319X	Nozzle - 3.8 mm double CP	1
AM326-9864-4.0	1669795, 71341681	L318X	Nozzle - 4.0 mm double CP	1	
2	AM326-1210CP	6551218, 71341682	L387X	Nozzle - 1.0 mm double CP	1
	AM326-1212CP	6551218, 71341682	L386X	Nozzle - 1.2 mm double CP	1
	AM326-1214CP	6551218, 71341682	L389X	Nozzle - 1.4 mm double CP	1
	AM326-1218-1.5	6551218, 71341682	L388X	Nozzle - 1.5 mm double CP	1
	AM326-1217CP	6551218, 71341682	L764X	Nozzle - 1.7 mm double CP	1
	AM326-1218-2.0	6551218, 71341682	L320X	Nozzle - 2.0 mm double CP	1
	AM326-1218-2.5	6551218, 71341682	L321X	Nozzle - 2.5 mm double CP	1
	AM326-1218-3.0	6551218, 71341682	L322X	Nozzle - 3.0 mm double CP	1
	AM326-1218-3.8	6551218, 71341682	L323X	Nozzle - 3.8 mm double CP	1
	AM326-4140CP	6551218, 71341682	L330X	Nozzle - 4.0 mm double CP	1
AM326-0050CP	6551218, 71341682	L781X	Nozzle - 5.0 mm double CP	1	
3	AM326-6010CP	71366090	L384X	Nozzle - 1.0 mm CP	1
	AM326-6012CP	71366090	L765X	Nozzle - 1.2 mm CP	1
	AM326-6014CP	71366090	L766X	Nozzle - 1.4 mm CP	1
	AM326-6015CP	71366090	L385X	Nozzle - 1.5 mm CP	1
	AM326-6020CP	71366090	L324X	Nozzle - 2.0 mm CP	1
	AM326-6025CP	71366090	L325X	Nozzle - 2.5 mm CP	1
	AM326-6030CP	71366090	L326X	Nozzle - 3.0 mm CP	1
	AM326-6038CP	71366090	L327X	Nozzle - 3.8 mm CP	1
	AM326-6040CP	71366090	L767X	Nozzle - 4.0 mm CP	1
4	AM326-S-14	S-14	AL93	O-ring (for nozzles)	10
5	AM326-6452	71366452, 71341684, 6551148A	AL115X	Nozzle, outer CP	1
6	AM326-6453	71366453	AL94	O-ring (for AM326-6452)	10

Centricut is not affiliated with the named manufacturers. Reference to machines, parts, descriptions, and model numbers are for convenience in verifying compatibility only. All parts are made by or for Centricut and are not made by the referenced manufacturers (unless expressly indicated). Centricut is a registered trademark of Hypertherm, Inc. All other trademarks are the properties of their respective owners.


Consumables

	Centricut part number	Reference number	Alternate reference	Description	Pkg qty
1	AM343-2361-1.2	1572361	L585X	Nozzle - 1.2 mm double CP	1
	AM343-9813	71369813, 71502038, 71518550, 71341779	L586X	Nozzle - 1.4 mm double CP	1
	AM343-2361-1.7	1572361, 71518548, 1572380	L574X	Nozzle - 1.7 mm double CP	1
	AM343-2361-2.0	1572361	L587X	Nozzle - 2.0 mm double CP	1
	AM343-2361-2.5	71501059, 71515394, 71516789, 1576398	L584X	Nozzle - 2.5 mm double CP	1
	AM343-2361-3	1572361	L588X	Nozzle - 3.0 mm double CP	1
	AM343-9817	71501060, 71515395, 71516790, 1576399	L589X	Nozzle - 4.0 mm double CP	1
	AM367-1037		L1037X	Nozzle - 4.0 mm double CP (2.0 mm inner)	1
	AM343-2350CP	1572361	L583X	Nozzle - 5.0 mm double CP	1
	AM343-0569		L569X	Nozzle - 6.0 mm double CP	1
2	AM343-2340CPS		L565X	Nozzle - 4.0 mm double CP short	1
	AM343-2350CPS		L567X	Nozzle - 5.0 mm double CP short	1
	AM343-2360CPS		L568X	Nozzle - 6.0 mm double CP short	1
3	AM343-2362-0.8	1572362	L590X	Nozzle - 0.8 mm CP	1
	AM343-2362-1.0	1572362	L591X	Nozzle - 1.0 mm CP	1
	AM343-2362-1.2	71369812, 71341778	L592X	Nozzle - 1.2 mm CP	1
	AM343-2362-1.4	1572362	L593X	Nozzle - 1.4 mm CP	1
	AM343-2362-1.5	1572362, 1572368B	L597X	Nozzle - 1.5 mm CP	1
	AM343-9812CPX	71369812, 71341778	L30592X	Nozzle - 1.2 mm CP (10 pack)	10
	AM343-2317CP	1572362	L575X	Nozzle - 1.7 mm CP	1
	AM343-2362-2.0	71515392	L594X	Nozzle - 2.0 mm CP	1
	AM343-0025CP		L572X	Nozzle - 2.5 mm CP	1
	AM343-2362-3.0	71501058, 71515393	L595X	Nozzle - 3.0 mm CP	1
	AM343-2362-4.0	1572362	L596X	Nozzle - 4.0 mm CP	1
4	AM343-0004CP		L1027X	Nozzle - 0.8 mm CP	1
	AM343-0005CP		L1028X	Nozzle - 1.0 mm CP	1
	AM343-0006CP		L1029X	Nozzle - 1.2 mm CP	1
	AM343-0007CP		L1030X	Nozzle - 1.4 mm CP	1
	AM343-0001CP		L599X	Nozzle - 1.5 mm CP	1
	AM343-0008CP		L1032X	Nozzle - 1.7 mm CP	1
	AM343-0002CP		L598X	Nozzle - 2.0 mm CP	1
	AM343-0002CPX		L30598X	Nozzle - 2.0 mm CP (10 pack)	10
	AM343-0009CP		L1033X	Nozzle - 2.3 mm CP	1
	AM343-0003CP		L571X	Nozzle - 3.0 mm CP	1
5	AM367-2008CP		L1024X	Nozzle - 0.8 mm CP w/concave	1
	AM367-2010CP		L1025X	Nozzle - 1.0 mm CP w/concave	1
	AM367-2037		L1026X	Nozzle - 1.2 mm CP w/concave	1
	AM367-2038	71502038, 1576396A	L1031X	Nozzle - 1.4 mm double CP w/concave	1
6	AM325-325-1	71341614	AL1005	Head protection disc - 21 mm (plastic)	1
	AM325-1614	71341614	AL122	Head protection disc - 21 mm (Vespe®)	1

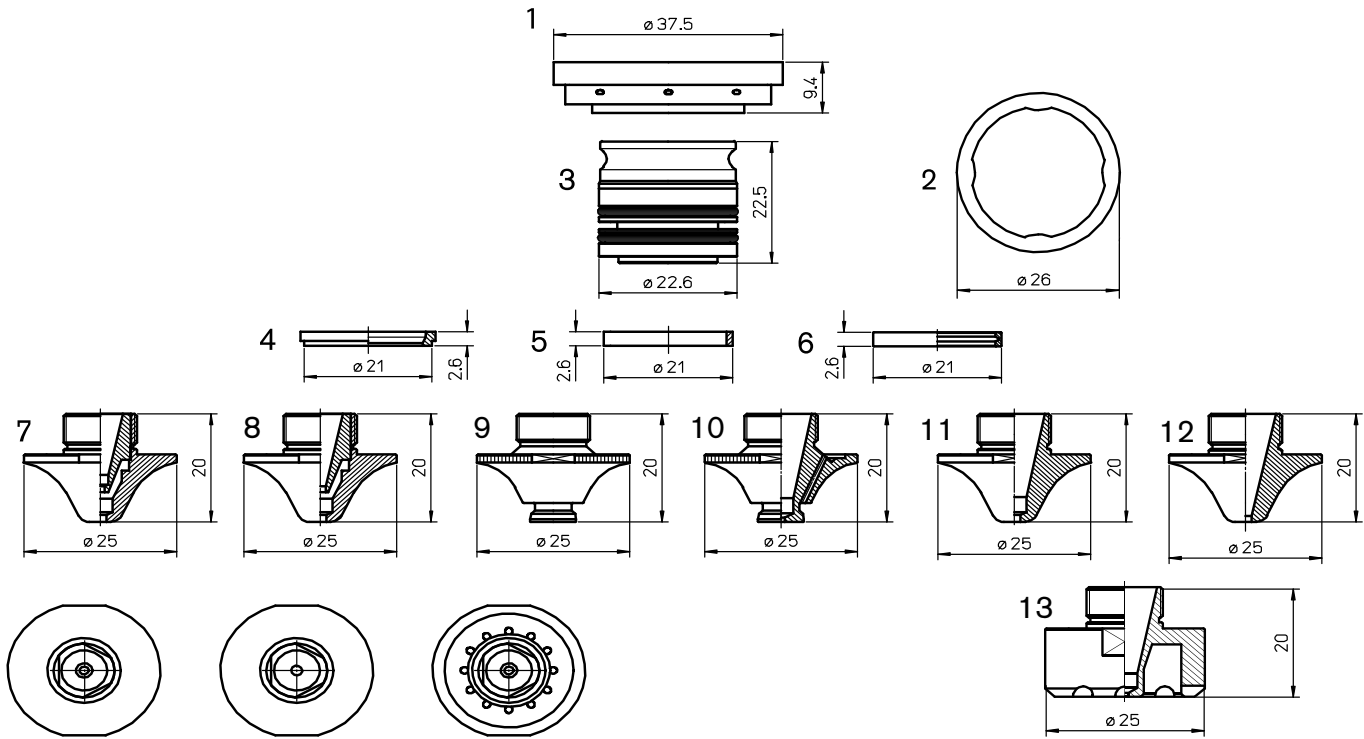
Centricut is not affiliated with the named manufacturers. Reference to machines, parts, descriptions, and model numbers are for convenience in verifying compatibility only. All parts are made by or for Centricut and are not made by the referenced manufacturers (unless expressly indicated). Centricut is a registered trademark of Hypertherm, Inc. All other trademarks are the properties of their respective owners.



Consumables

	Centricut part number	Reference number	Alternate reference	Description	Pkg qty
1	AM367-2026	71502026	AL340	Insulator - PTFE*	1
2	AM367-2036	71502036	AL248	Nozzle adapter w/8 holes	1
3	AM367-3036	71502036	AL348	Nozzle adapter w/12 holes	1
	AM367-0001 (not shown)		AL268	O-ring	1
4	AM367-0853		AL233	O-ring - rigid	1
5	AM367-5853	71515853	AL234	Ring - PTFE*	1
6	AM386-2025CP	71502039	L1155X	Nozzle - 2.5 mm double CP w/holes	1
	AM386-2041CP	71502040	L1159X	Nozzle - 4.0 mm double CP w/holes	1
7	AM367-1014CP		L1041X	Nozzle - 1.4 mm double CP w/holes	1
	AM367-1017CP		L1043X	Nozzle - 1.7 mm double CP w/holes	1
	AM367-1020CP		L1044X	Nozzle - 2.0 mm double CP w/holes	1
	AM367-2039	71502039	L1045X	Nozzle - 2.5 mm double CP w/holes	1
	AM367-2040	71502040	L1049X	Nozzle - 4.0 mm double CP w/holes	1
	AM367-2050CP		L1050X	Nozzle - 5.0 mm double CP w/holes	1

*PolyTetraFluoroEthylene is a fluorocarbon-based polymer and is commonly abbreviated PTFE. The Teflon® brand of PTFE is manufactured only by DuPont and is not sold by Hypertherm. Hypertherm purchases other brands of PTFE from various high quality manufacturers.


Consumables

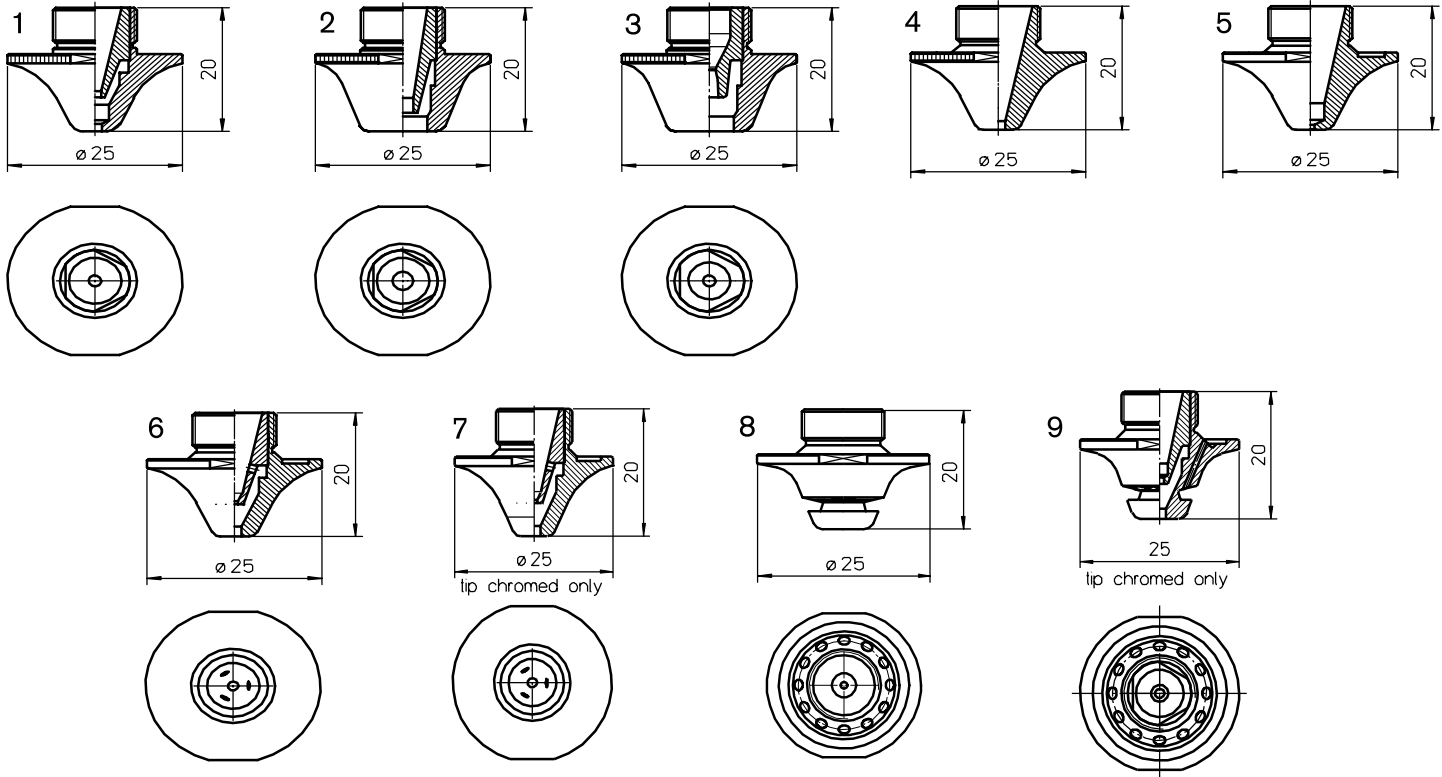
	Centricut part number	Reference number	Alternate reference	Description	Pkg qty
1	AM367-2349	7973497, 71712349	AL372	Holder - PTFE*	1
2	AM367-3028		AL403	Collar - PTFE*	1
3	AM367-0360	71712350, 7973459	AL360	Nozzle adapter w/holes	1
	AM367-0364		AL360/AM	Nozzle Adapter w/Inner	1
4	AM367-0853		AL233	O-ring - rigid	1
5	AM367-5853	71515853	AL234	Ring - PTFE*	1
6	AM367-2340	71712340	AL361	Ring - PTFE* with groove	1
7	AM367-8550	71518550	L1401X	Nozzle - 1.4 mm double ECO Cut CP	1
	AM367-6789	71516789	L1403X	Nozzle - 2.5 mm double ECO Cut CP	1
	AM367-6795		L1404X	Nozzle - 3.0 mm double ECO Cut CP	1
	AM367-6790	71516790	L1405X	Nozzle - 4.0 mm double ECO Cut CP	1
8	AM367-6791CP	7151690	L1406X	Nozzle - 4.0 mm double AL CP	1
9	AM367-1352CP		L1352X	Nozzle - 1.4 mm double WACS CP	1
	AM367-1160CP NEW		L1352X/TG	Nozzle - 1.4 mm double WACS CP w/collar	1
	AM367-1353CP		L1353X	Nozzle - 1.7 mm double WACS CP	1
	AM367-1162CP NEW		L1353X/TG	Nozzle - 1.7 mm double WACS CP w/collar	1
	AM367-1354CP		L1354X	Nozzle - 2.0 mm double WACS CP	1
	AM367-1164CP NEW		L1354X/TG	Nozzle - 2.0 mm double WACS CP w/collar	1
	AM367-1355CP	71712335	L1355X	Nozzle - 2.5 mm double WACS CP	1
	AM367-1156CP	71712335	L1355X/TG	Nozzle - 2.5 mm double WACS CP w/collar	1
	AM367-1158CP	71712336, 71461158	L1359X	Nozzle - 4.0 mm double WACS CP	1
	AM367-1157CP		L1359X/TG	Nozzle - 4.0 mm double WACS CP w/collar	1
AM367-1159CP		L1360X	Nozzle - 5.0 mm double WACS CP	1	
AM367-1165CP NEW		L1360X/TG	Nozzle - 5.0 mm double WACS CP w/collar	1	
10	AM367-2336	71712336, 71461158	L1568X	Nozzle - S1.2W WACS CP	1
11	AM367-1407CP	71502037	L1407X	Nozzle - 1.2 mm ECO Cut CP	1

Centricut is not affiliated with the named manufacturers. Reference to machines, parts, descriptions, and model numbers are for convenience in verifying compatibility only. All parts are made by or for Centricut and are not made by the referenced manufacturers (unless expressly indicated). Centricut is a registered trademark of Hypertherm, Inc. All other trademarks are the properties of their respective owners.

Consumables

	Centricut part number	Reference number	Alternate reference	Description	Pkg qty
12	AM367-1410CP		L1410X	Nozzle - 1.4 mm ECO Cut CP	1
	AM367-1411CP	71501056	L1411X	Nozzle - 1.5 mm ECO Cut CP	1
	AM367-1412CP	71501057	L1412X	Nozzle - 2.0 mm ECO Cut CP	1
	AM367-1413CP	71516788	L1413X	Nozzle - 3.0 mm ECO Cut CP	1
13	AM367-1333		L1333	Nozzle - 2.0 mm	1
14	AM367-2344	71712344	AL359	Locating pin	1
15	AM367-6438	71716438	AL392	Inner for adapter	1
	AM367-0397 (not shown) NEW		AL397	O-ring Kit for adapter	1

*PolyTetraFluoroEthylene is a fluorocarbon-based polymer and is commonly abbreviated PTFE. The Teflon® brand of PTFE is manufactured only by DuPont and is not sold by Hypertherm. Hypertherm purchases other brands of PTFE from various high quality manufacturers.

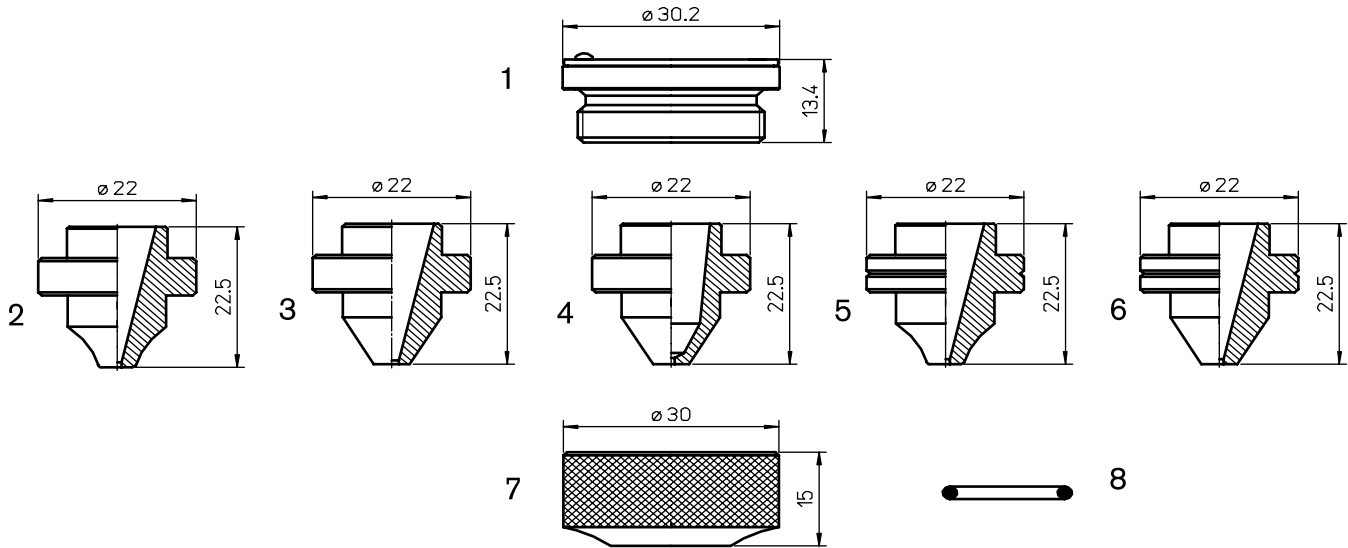

Consumables

	Centricut part number	Reference number	Alternate reference	Description	Pkg qty
1	AM367-1727CP		L1415XH	Nozzle - 2.5 mm double CP clean cut	1
	AM367-1728	71341728	L1416XH	Nozzle - 4.0 mm double CP clean cut	1
2	AM367-1717CP		L1417XH	Nozzle - 5.0 mm double CP clean cut	1
	AM367-1718CP		L1418XH	Nozzle - 6.0 mm double CP clean cut	1
	AM367-1729CP	71341729	L1419XH	Nozzle - 7.0 mm double CP clean cut	1
	AM367-1092CP NEW	71501092	L1425X	Nozzle - 7.0 mm double AL CP clean cut	1
3	AM367-1770CP	71712692	L1420X	Nozzle - 7.0 mm double CP silky cut	1
4	AM367-1421CP		L1421XH	Nozzle - 1.5 mm CP clean cut	1
	AM367-1422CP	71502043	L1422XH	Nozzle - 2.0 mm CP clean cut	1
	AM367-1423CP	71502044	L1423XH	Nozzle - 3.0 mm CP clean cut	1
	AM367-1424CP		L1424XH	Nozzle - 2.5 mm CP clean cut	1
5	AM367-1560		L1560X	Nozzle - 0.8 mm Fe CP	1
	AM367-1561	71570021	L1561X	Nozzle - 1.0 mm Fe CP	1
	AM367-1562		L1562X	Nozzle - 1.2 mm Fe CP	1
	AM367-1563		L1563X	Nozzle - 1.4 mm Fe CP	1
6	AM367-0020	71570022	L1645X	Nozzle - double 2.0 mm Fe CP	1
	AM367-0025		L1646X	Nozzle - double 2.5 mm Fe CP	1
	AM367-0040 NEW		L1649X	Nozzle - double 4.0 mm Fe CP	1
7	AM367-1161CP NEW		L1644XH	Nozzle - double 1.5 mm CP	1
	AM367-1163CP NEW		L1645XH	Nozzle - double 2.0 mm CP	1

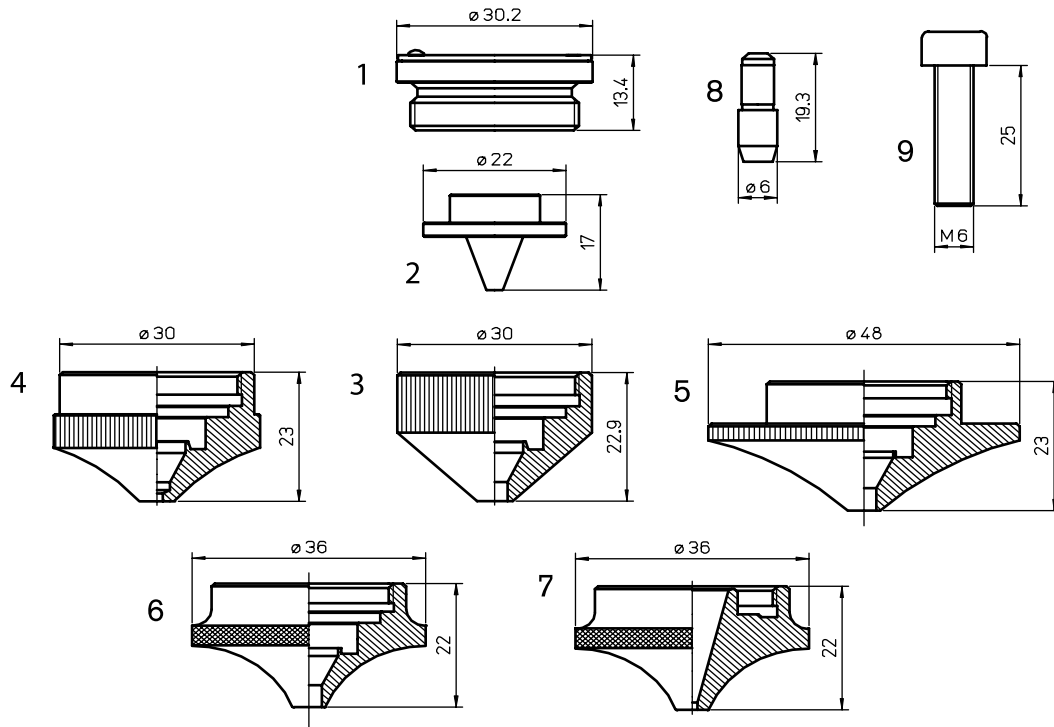
Consumables

	Centricut part number	Reference number	Alternate reference	Description	Pkg qty
8	AM367-0019		L1653XH	Nozzle - S0.8 mm Fe CP	1
	AM367-0019C		L1653XH/TG	Nozzle - S0.8 mm Fe CP w/collar	1
	AM367-0030	71570030	L1654XH	Nozzle - S1.0 mm Fe CP	1
	AM367-0030C	71570030	L1654XH/TG	Nozzle - S1.0 mm Fe CP w/collar	1
	AM367-0023	71570023	L1655XH	Nozzle - S1.2 mm Fe CP	1
	AM367-0023C	71570023	L1655XH/TG	Nozzle - S1.2 mm Fe CP w/collar	1
	AM367-0024		L1656XH	Nozzle - S1.4 mm Fe CP	1
	AM367-0024C		L1656XH/TG	Nozzle - S1.4 mm Fe CP w/collar	1
	AM367-0027		L1657XH	Nozzle - S1.7 mm Fe CP	1
	AM367-0027C		L1657XH/TG	Nozzle - S1.7 mm Fe CP w/collar	1
	AM367-0026		L1658XH	Nozzle - S2.0 mm Fe CP	1
	AM367-0026C		L1658XH/TG	Nozzle - S2.0 mm Fe CP w/collar	1
	9	AM367-1900CP NEW		L1900XH	Nozzle - double 1.2 mm Fe CP
AM367-1901CP NEW			L1901XH	Nozzle - double 1.5 mm Fe CP	1

Centricut is not affiliated with the named manufacturers. Reference to machines, parts, descriptions, and model numbers are for convenience in verifying compatibility only. All parts are made by or for Centricut and are not made by the referenced manufacturers (unless expressly indicated). Centricut is a registered trademark of Hypertherm, Inc. All other trademarks are the properties of their respective owners.


LC 3015 XI NT
Consumables

	Centricut part number	Reference number	Alternate reference	Description	Pkg qty
1	MB334-0001	P0594-860-00001	AL267	Nozzle holder - IT HP2 MZP/MEL	1
2	AM387-0001	71800016A0, BQ933D283H01	L1126	Nozzle - 1.0 mm w/radius no grooves	1
3	AM326-0018	71800018, BQ943D157H01	L1134	Nozzle - 1.5 mm	1
	AM326-0017		L1131	Nozzle - 1.7 mm	1
	AM326-0019	71800019, BQ943D157H02	L1135	Nozzle - 2.0 mm	1
	AM326-0020	71800020, BQ943D157H03	L1136	Nozzle - 2.5 mm	1
	AM326-0021	71800021, BQ943D157H04	L1137	Nozzle - 3.0 mm	1
	AM326-0022	71800022, BQ943D596H01	L1138	Nozzle - 3.5 mm	1
	AM326-0023		L1139	Nozzle - 4.0 mm	1
	AM326-0024CP	71800109, BQ943D714H01, W18Q94371401	L1140X	Nozzle - 4.0 mm CP (focus point)	1
4	AM387-0016	71800016, BQ943D897H01, W18Q94389701	L1125	Nozzle - 1.0 mm	1
	AM387-1901	W18Q93309101	L1128	Nozzle - 2.5 mm	1
	AM387-1902	W18Q93309102	L1129	Nozzle - 3.0 mm	1
5	AM387-0017	71800017, BQ943D269H01, W18Q93326901	L1130	Nozzle - 1.2 mm w/radius	1
6	AM387-2701	W18Q93302701	L1132	Nozzle - 1.7 mm	1
7	AM367-0269	71800026, BQ933D94H01	AL269	Nozzle nut short	1
8	MB334-W290	W290	AL388	O-ring	1

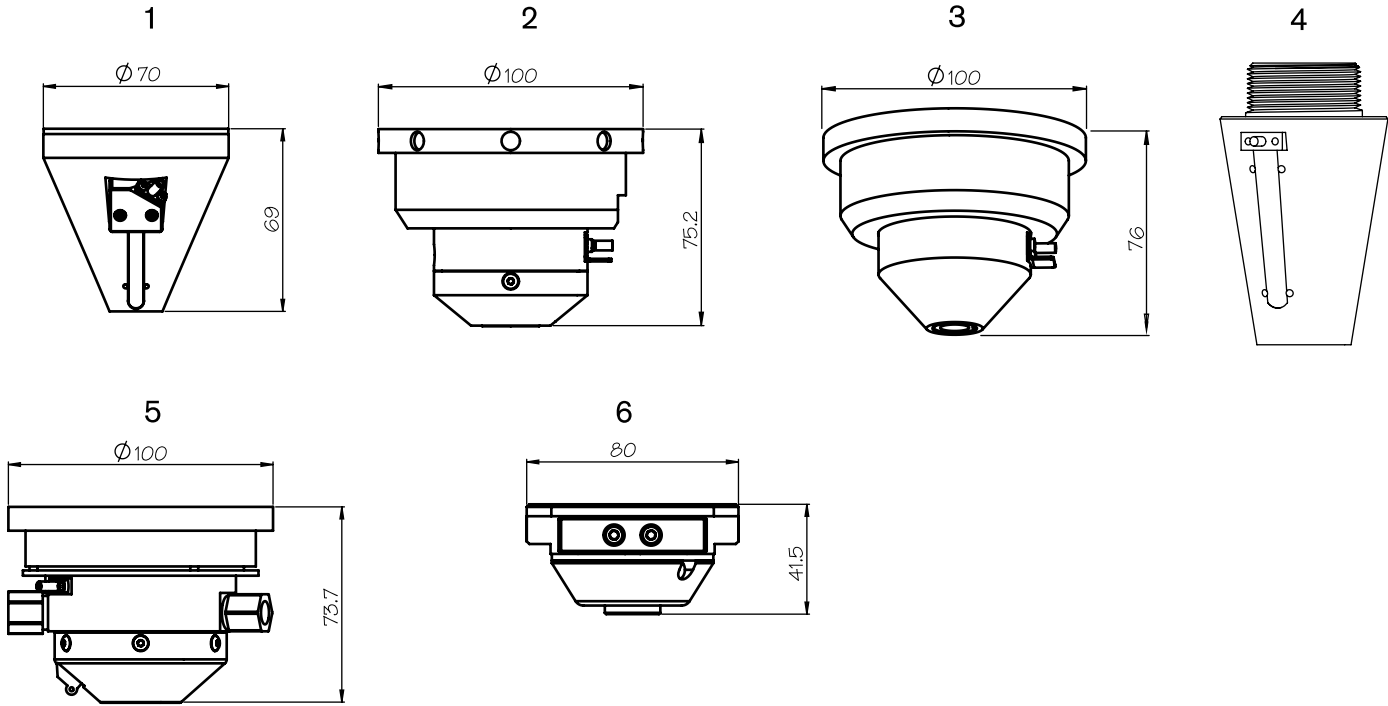


LC 3015 XI NT

Consumables

	Centricut part number	Reference number	Alternate reference	Description	Pkg qty
1	MB334-0001	P0594-860-00001	AL267	Nozzle holder - IT HP2 MZP/MEL	1
2	AM387-0023	71800023, BQ943D156H01	L1119	Nozzle - double insert - 8 hole 1.5 mm	1
	AM387-0024	71800024, BQ943D156H03	L1123	Nozzle - double insert - 24 hole 1.5 mm	1
	AM387-0025		L1120	Nozzle - double insert - 8 hole 2.0 mm	1
	AM387-0026		L1124	Nozzle - double insert - 24 hole 2.0 mm	1
3	MB316-269S	71800027, BQ933D221H04, P0593-860-00001	AL238	Shield cap - short	1
	MB316-269SCP		AL238X	Shield cap - short CP	1
4	AM416-0002		AL302	Nozzle - 1.7 mm (outer)	1
	AM416-0003		AL303	Nozzle - 2.0 mm (outer)	1
	AM416-0004		AL304	Nozzle - 2.5 mm (outer)	1
	AM416-0005		AL305	Nozzle - 3.0 mm (outer)	1
	AM416-0006		AL306	Nozzle - 4.0 mm (outer)	1
5	MB316-0440	BQ933D044H01, 71800101, W18Q93304401	AL266	Nozzle, outer - high speed pierce	1
6	AM416-2197	71802197, BQ933D044H01	AL270	Nozzle, outer	1
7	AM416-5400	7180015400, BQ023D020H01	L1262	Nozzle - 1.7 mm high speed pierce	1
8	AM416-0009	71800009, P921K000P25, JPZA5-6	AL345	Safety pin	1
9	AM416-A005	71800008, L2490A005	AL346	Safety screw	1

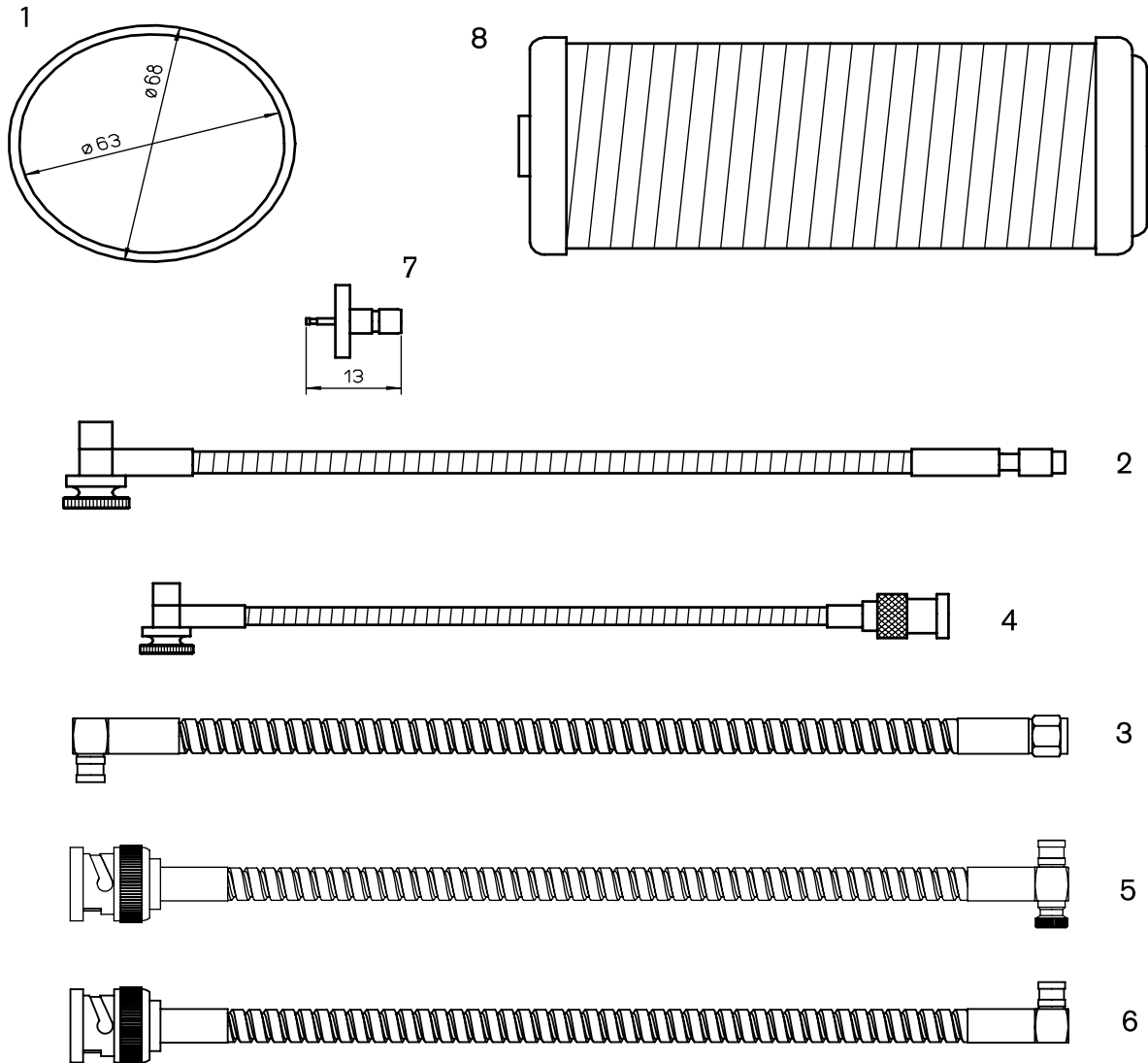
*PolyTetraFluoroEthylene is a fluorocarbon-based polymer and is commonly abbreviated PTFE. The Teflon® brand of PTFE is manufactured only by DuPont and is not sold by Hypertherm. Hypertherm purchases other brands of PTFE from various high quality manufacturers.



Sensor cones

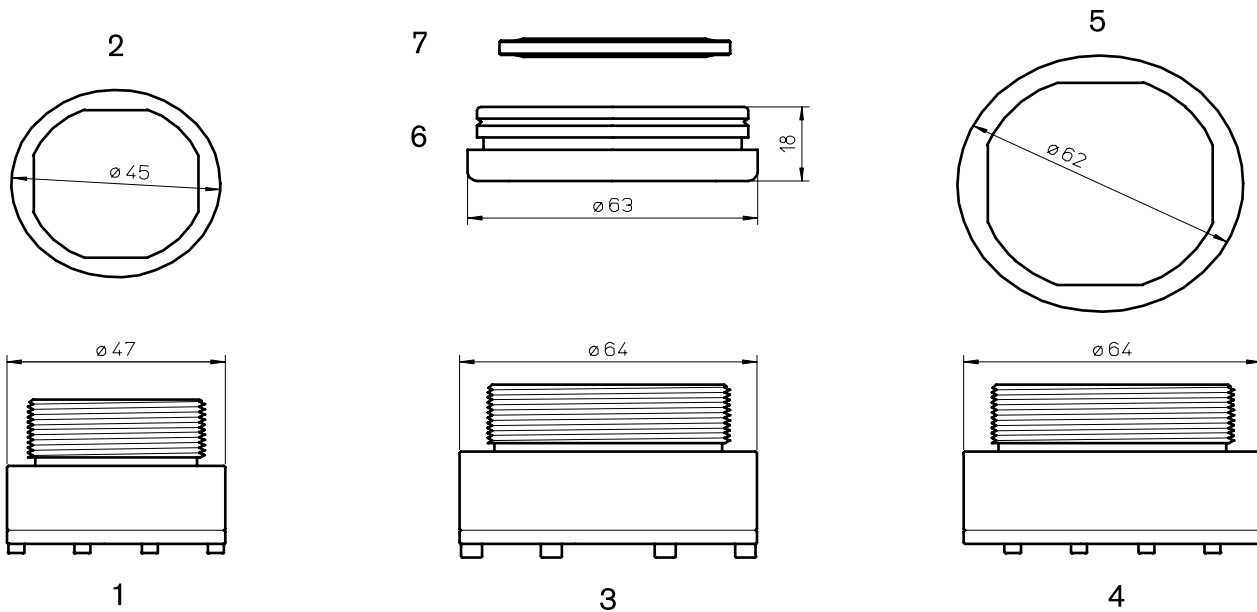
	Centricut part number	Reference number	Alternate reference	Description	Pkg qty
Sensor cone repair					
	AM999-HS95 (not shown)	71341621	567011	Sensor repair HS95 (86 mm x 69 mm)	1
	AM999-WACS (not shown)	71502035		Sensor repair HP-X WACS	1
	AM999-KNF (not shown)	HPX-KNF		Air knife - HPX sensor	1
1	AM999-HS95M	71360091		Sensor repair (mini) (70 mm x 69 mm)	1
2	AM999-ECO	71399107		Sensor repair ECO	1
3	AM999-HS98	71341690		Sensor repair HS98	1
4	AM999-L3015C	71374509		Sensor repair L3015C	1
5	AM999-HPX			Sensor repair HPX	1
6	AM999-HPL	74810277		Sensor repair HP-L (red)	1
New sensor cones					
1	AM343-0091	71360091		Sensor cone - HS95 Mini	1
2	AM343-9107	Amada ECO cone		Sensor cone - ECO	1
3	AM343-1690	71341690		Sensor cone - HS98	1

Sensor repairs available in select regions only.


Sensor cables and accessories

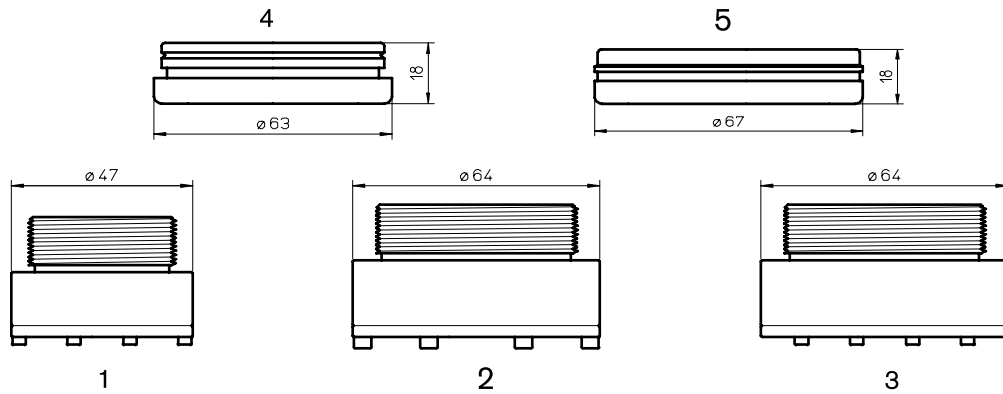
	Centricut part number	Reference number	Alternate reference	Description	Pkg qty
1	AM313-0004		AL56	Gasket - PTFE* sensor head	1
2	AM313-1901	71341630	AL200	Sensor cable - HS-5 305 mm	1
3	AM313-1901A	71341630		Sensor cable - HS-5 305 mm (premium)	1
4	AM308-8965	71341901	AL260	Sensor cable - HS-15 F.O. 305 mm	1
5	AM308-8965A	71341901		Sensor cable - armored 305 mm (premium)	1
6	AM313-9851A	71369851		Sensor cable - armored 203 mm (premium)	1
7	AM308-0001		AL263	Sensor cable connector	1
8	AM313-2023	71232023		Filter - vacuum pump	1
	AM313-1526 (not shown)	71341526		Sensor cable - 530 mm ZS6	1
	AM313-8292 (not shown)	71398292		Sensor cable - Dual Shielded (7 meters)	1

*PolyTetraFluoroEthylene is a fluorocarbon-based polymer and is commonly abbreviated PTFE. The Teflon® brand of PTFE is manufactured only by DuPont and is not sold by Hypertherm. Hypertherm purchases other brands of PTFE from various high quality manufacturers.


Centricut lens housings and assemblies

	Centricut part number	Reference number	Alternate reference	Description	Pkg qty
1	AM313-0200	T07135390200	LT85	Lens assembly - PLX 1.5" dia 5.0" F.L. .300" ET	1
	AM313-6900	MD7136096900	LT95	Lens assembly - PLX 1.5" dia 7.5" F.L. .300" ET	1
	AM313-0001		A100	Lens housing - 1.5" dia	1
2	AM313-0005	71360261	AL52	Gasket - PTFE* 1.5" lens housing	1
3	AM313-6182	MD7110965200, 71366182	LT105	Lens assembly - PLX 2.0" dia 5.0" F.L. .300" ET	1
	AM313-8467	MD7110965300, 71368467	LT110	Lens assembly - PLX 2.0" dia 7.5" F.L. .300" ET	1
	AM313-5400	MD7110965400	LT115	Lens assembly - PLX 2.0" dia 10.0" F.L. .300" ET	1
	AM313-0002		A105	Lens housing - 2.0" dia	1
4	AM313-8000	T07110968000	LT205	Lens assembly - PLX 1.5" dia 5.0" F.L. F.O. .300" ET	1
	AM313-8100	T07110968100	LT210	Lens assembly - PLX 1.5" dia 7.5" F.L. F.O. .300" ET	1
	AM313-0003		A107	Lens housing - 1.5" aluminum, Gemini	1
5	AM313-9513	71361393	AL149	Gasket - PTFE* 2.0" lens housing	1
6	AM313-1305	71501072	LT305	Lens assembly - PLX 1.5" dia 5.0" F.L. .300" ET	1
	AM313-1310	71501070	LT310	Lens assembly - PLX 1.5" dia 7.5" F.L. .300" ET	1
	AM313-1315	71502030	LT315	Lens assembly - PLX 1.5" dia 10.0" F.L. .300" ET	1
	AM313-50F0		A109	Lens housing - 5.0" FO NT	1
	AM313-75F0		A112	Lens housing - 7.5" FO NT	1
7	AM313-1071	71501071	AL249	Gasket	1

*PolyTetraFluoroEthylene is a fluorocarbon-based polymer and is commonly abbreviated PTFE. The Teflon® brand of PTFE is manufactured only by DuPont and is not sold by Hypertherm. Hypertherm purchases other brands of PTFE from various high quality manufacturers.



Optics

	Centricut part number	Reference number	Type	Diameter	Focal length	Edge thickness
Mounted lenses						
1	AM313-0306	81140306	PLX	1.5"	5.00"	.300"
	AM313-0400	81140400	PLX	1.5"	7.50"	.300"
2	AM313-9830	71369830	PLX	1.5"	5.00"	.300"
	AM313-9831	71369831	PLX	1.5"	7.50"	.300"
3	AM313-0307	81140307	PLX	2.0"	5.00"	.380"
	AM313-0186	81140186	PLX	2.0"	7.50"	.380"
4	AM313-1216	71501072	PLX	1.5"	5.00"	.300"
	AM313-8662	578662	PLX	1.5"	5.00"	.300"
	AM313-1215	71501070	PLX	1.5"	7.50"	.300"
	AM313-3110		PLX	1.5"	7.50"	.300"
5	AM313-50F1	71710059	PLX	2.0"	5.00"	.380"
	AM313-75F1	71710030	PLX	2.0"	7.50"	.380"
	AM313-10F1		PLX	2.0"	10.00"	.380"
	AM313-0221 (not shown)	81140221	PLX	1.5"	3.75"	.300"
	AM313-7931 (not shown)	6017931	PLX	2.0"	7.50"	.380"
Low absorption – mounted lenses						
1	AM313-0306MP5	81140306	PLX	1.5"	5.00"	.300"
	AM313-0400MP5	81140400	PLX	1.5"	7.50"	.300"
2	AM313-9830MP5	71369830	PLX	1.5"	5.00"	.300"
	AM313-9831MP5	71369831	PLX	1.5"	7.50"	.300"
3	AM313-0307MP5	81140307	PLX	2.0"	5.00"	.380"
	AM313-0186MP5	81140186	PLX	2.0"	7.50"	.380"
4	AM313-1216MP5	901216A	PLX	1.5"	5.00"	.300"
	AM313-1215MP5	901215A	PLX	1.5"	7.50"	.300"
Non-mounted lenses						
	AM313-0305	81140305	PLX	1.1"	5.00"	.160"
	AM313-6602	726602	PLX	1.1"	7.50"	.160"
	AM313-0221NM	81140221	PLX	1.5"	3.75"	.300"
	AM313-0306NM	81140306	PLX	1.5"	5.00"	.300"
	AM313-1072	71501072	PLX	1.5"	5.00"	.300"
	AM313-0400NM	81140400	PLX	1.5"	7.50"	.300"
	AM313-1019NM	306068	PLX	1.5"	7.50"	.300"
	AM313-7070	71501070	PLX	1.5"	7.50"	.300"
	AM313-0307NM	81140307	PLX	2.0"	5.00"	.380"
	AM313-0186NM	81140186	PLX	2.0"	7.50"	.380"
Low absorption – non-mounted lenses						
	AM313-0306NMP5 NEW	81140306	PLX	1.5"	5.00"	.300"
	AM313-0400NMP5	81140400	PLX	1.5"	7.50"	.300"
	AM313-1072NMP5	71501072	PLX	1.5"	5.00"	.300"
	AM313-7070NMP5	71501070	PLX	1.5"	7.50"	.300"
	AM313-0307NMP5	81140307	PLX	2.0"	5.00"	.380"
	AM313-0186NMP5	81140186	PLX	2.0"	7.50"	.380"

Centricut is not affiliated with the named manufacturers. Reference to machines, parts, descriptions, and model numbers are for convenience in verifying compatibility only. All parts are made by or for Centricut and are not made by the referenced manufacturers (unless expressly indicated). Centricut is a registered trademark of Hypertherm, Inc. All other trademarks are the properties of their respective owners.

Optics

Centricut part number	Reference number	Type	Material	Diameter	Focal length	Edge thickness
Fiber laser						
AM313-0238	7710238	PLX	FS	50.8 mm	190 mm	11.4 mm

Optics care

Centricut part number	Reference number	Description	Pkg qty
TR300-6452	N/A	Lens cleaning paper, Tiffen – 50 piece	1
AM313-SC50	SC50	Lens cleaning paper, Tresor – 50 piece	1
TR300-1115		Lens cleaning pre-cut cotton – 80 piece	1
TR300-SC20		Cotton swab – 20 piece	1
TR300-1010	AL1010	Dropper, lens cleaning fluid	1
TR300-1112		Optical cleaning fluid	1
TR300-0699	70675699 REVA	Lens Cleaning Swabs (25 pack)	1
TR300-7991	027991	Polyester Wipes 4" x 4"	1
TR301-0282		Injector	1
TR300-LSA		Lens stress analyzer	1
TR300-255	AL255	Loupe, magnifying	1
TR300-271	AL271	Base, lens maintenance	1
TR300-7388	787388	Mirror polish (250 ml)	1
MZ335-115	AL115/M	Indium wire – .8 mm x 125 mm (1.5" lens)	1
MZ335-120	AL120/M	Indium wire – .8 mm x 160 mm (2.0" lens)	1

Technical support

- Our technical service team can answer questions about any laser or plasma cutting system. Whether it's a question about a part, a system, or for guidance on how to optimize performance, our experts can help.
- We stand behind our products with industry-leading technical expertise
- OEM trained technicians on staff with over 25 years experience



**HELPING YOU
SHAPE THE WORLD.**



PLASMA | LASER | WATERJET | AUTOMATION | SOFTWARE | CONSUMABLES

For more information on Centricut laser products, visit
www.hypertherm.com/centricut/laser

Hypertherm, Centricut, SilverLine and CoolFlow are trademarks of Hypertherm Inc., and may be registered in the United States and/or other countries. All other trademarks are the property of their respective owners.

One of Hypertherm's long-standing core values is a focus on minimizing our impact on the environment. Doing so is critical to our, and our customers' success. We are always striving to become better environmental stewards; it is a process we care deeply about.

© 12/2016 Hypertherm Inc.



Hypertherm[®]
SHAPING POSSIBILITY™

